

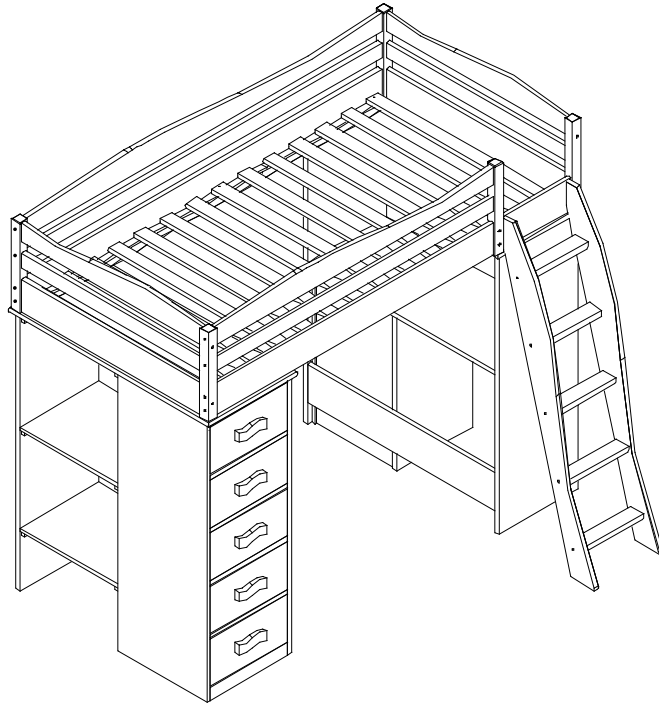


TEXTILES

Imagination Products for Kids™

Room Magic Textiles, LLC
Toll Free 866-698-1107
www.roommagic.com

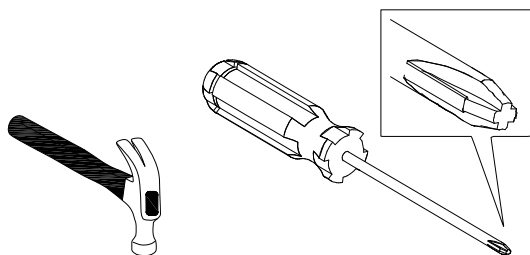
ROOM MAGIC
LOFT MAGIC Model No. RM78
Assembly Instructions
Made in Thailand



All Room Magic furniture is designed to change with your child. All drawer fronts are reversible. One side is finished in colorful stains; the other side has a Natural finish. All Drawers come with naturalwave knobs as well as the collection knobs, which are shipped separately. You can change the look of the piece and your room by simply removing the knobs, and flipping the drawer fronts. You can change the knobs, or use the Natural knobs with the Natural drawer fronts to create a completely different look as your child outgrows the colorful look.

Thank you for purchasing this quality product. A list of PARTS and INSTRUCTIONS is included to assist you. Unpack and identify all parts included on the Parts List and hardware List. If parts are missing, call our Customer Service Department at 866-698-1107. For efficient and speed service, please indicate the model number and code letter of part(s) needed.

**TOOLS REQUIRED
FOR ASSEMBLY**



BEFORE YOU BEGIN

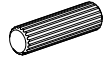
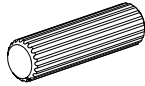
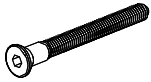
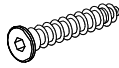
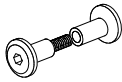
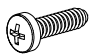
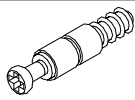
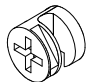
Please read through this entire instruction sheet.


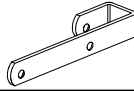
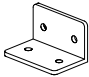
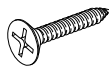


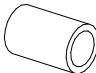
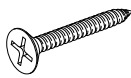

NOTE: If using POWER TOOLS, be careful not to OVER-TIGHTEN.

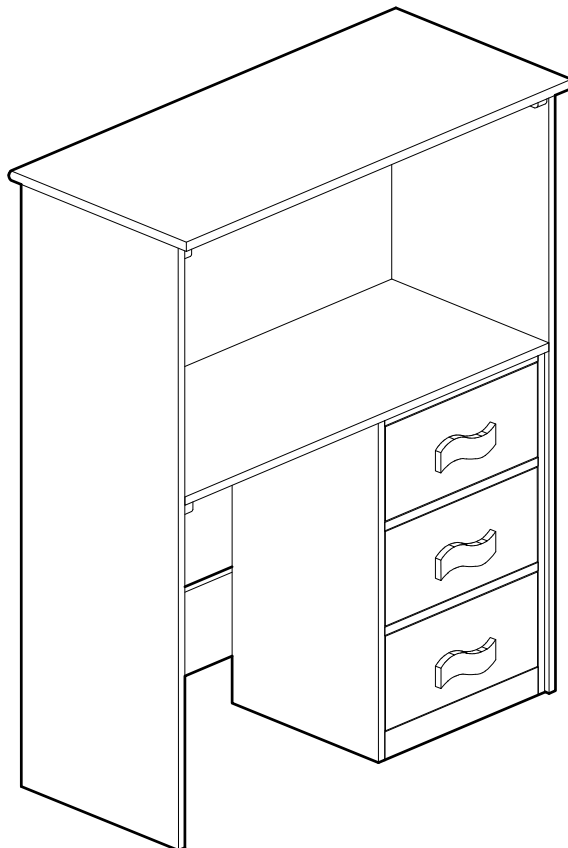
 **WARNING**

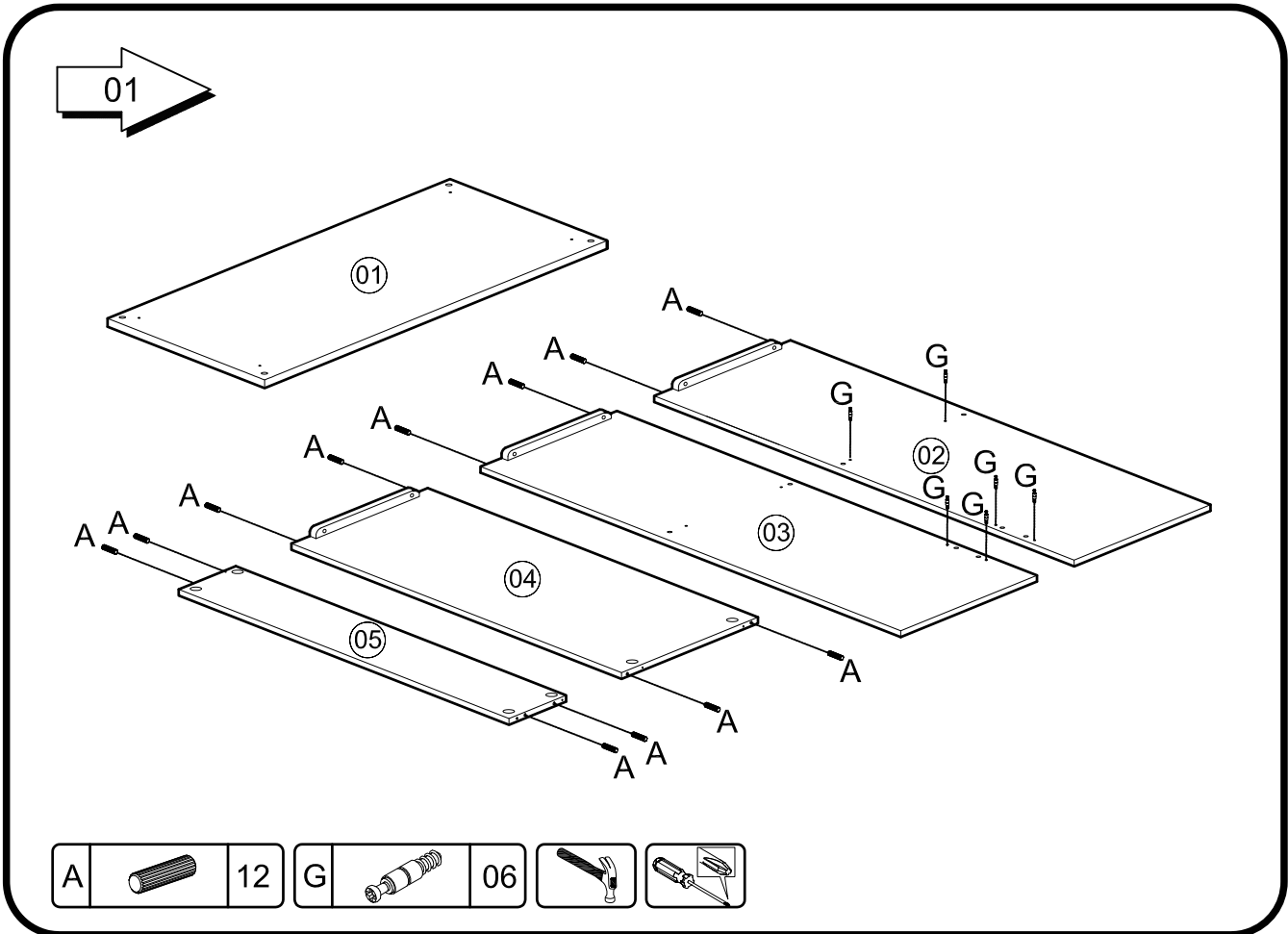
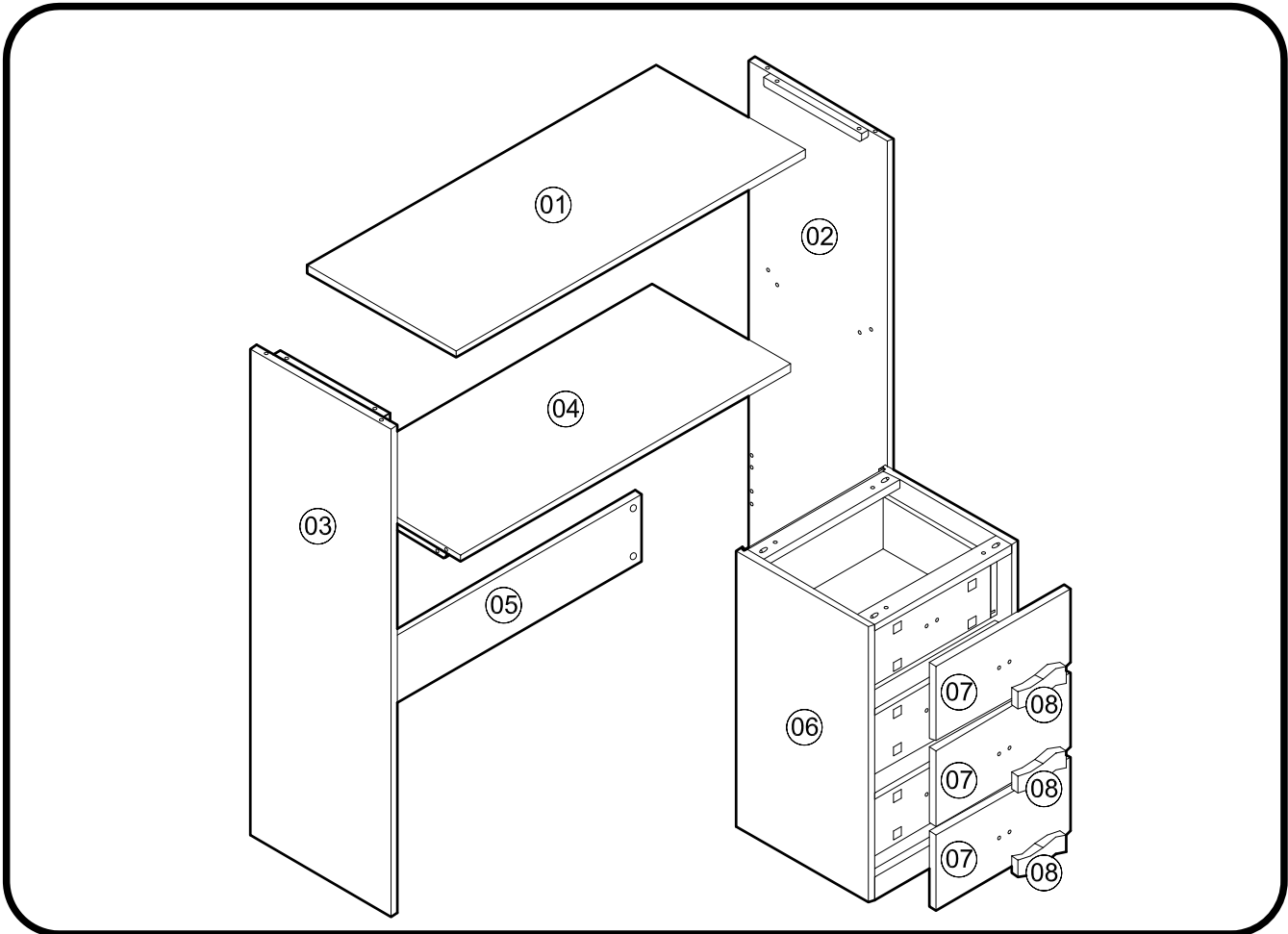
- Follow the information on the warnings appearing on the upper bunk end structure and on the carton. Do not remove warning label from bed.
- Always use the recommended size mattress or mattress support, or both, to help prevent the likelihood of entrapment or falls.
- Surface of mattress must be at least 5 in. (127 mm.) below the upper edge of guardrails.
- Do not allow children under 6 years of age to use the upper bunk.
- Periodically check and ensure that the guardrail, ladder, and other components are in their proper position, free from damage, and that all connectors are tight.
- Do not allow horseplay on or under the bed and prohibit jumping on the bed.
- Always use the ladder for entering and leaving the upper bunk.
- Do not use substitute parts. Contact the manufacturer or dealer for replacement parts.

- Use of a night light may provide added safety precaution for a child using the upper bunk.
- Always use guardrails on both long sides of the upper bunk. If the bunk bed will be placed next to the wall. The guardrails that runs the full length of the bed should be placed against the wall to prevent entrapment between the bed and wall.
- The use of water or sleep flotation mattresses is prohibited.
- **STRANGULATION HAZARD** --- Never attach or hang items to any part of the bunk bed that are not designed for use with the bed : for example, but not limited to, hooks, belts and jump ropes.
- Keep these instructions for future reference.

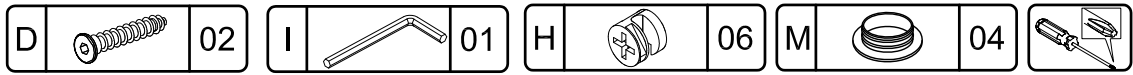
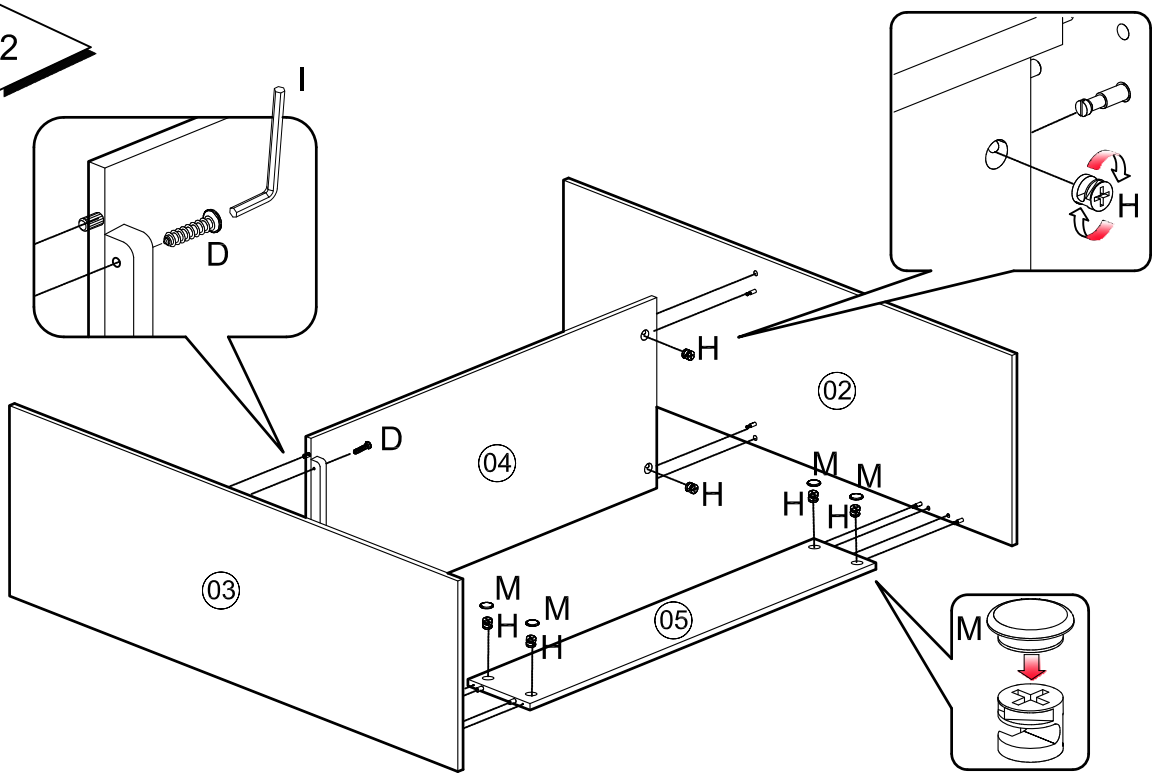
A		26
B		40
C		34
D		24
E		02
F		32
G		06
H		06

I		01
J		02
K		08
L		06
M		04
N		16
O		16
P		14
Q		10

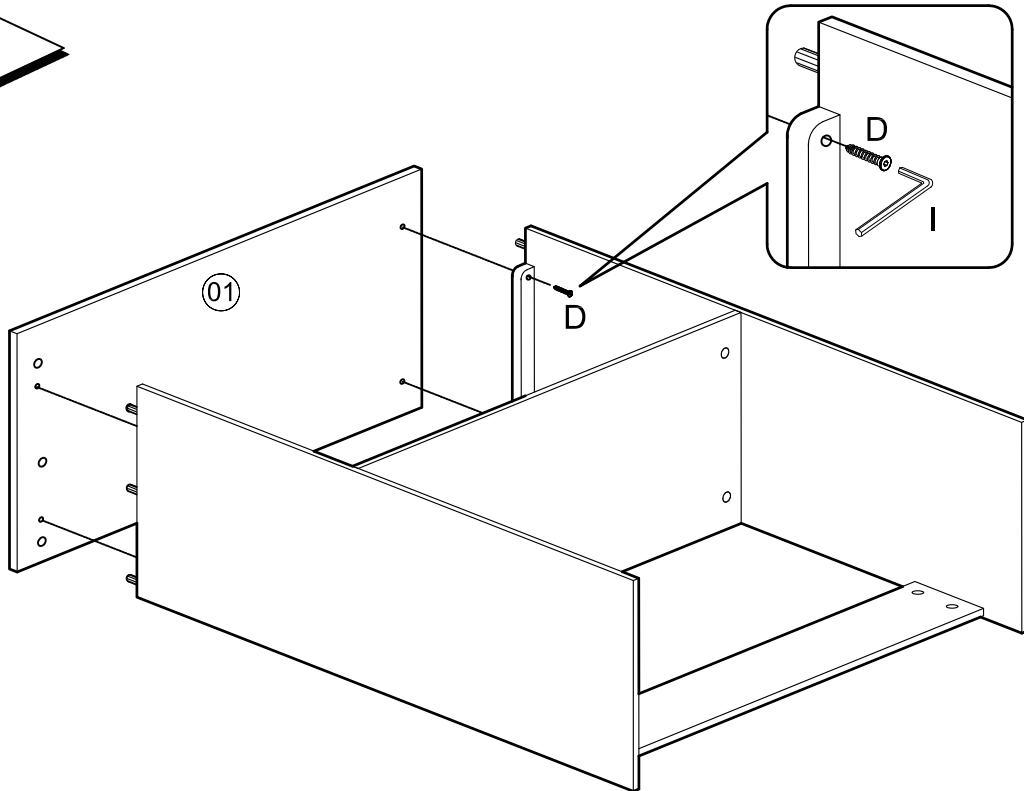




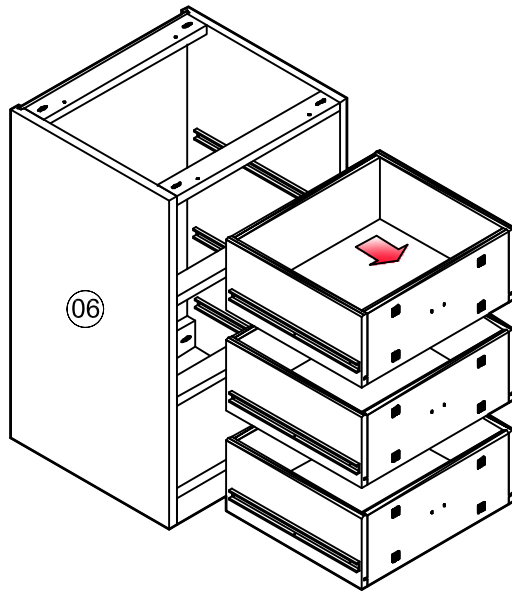
02



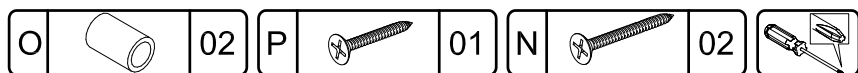
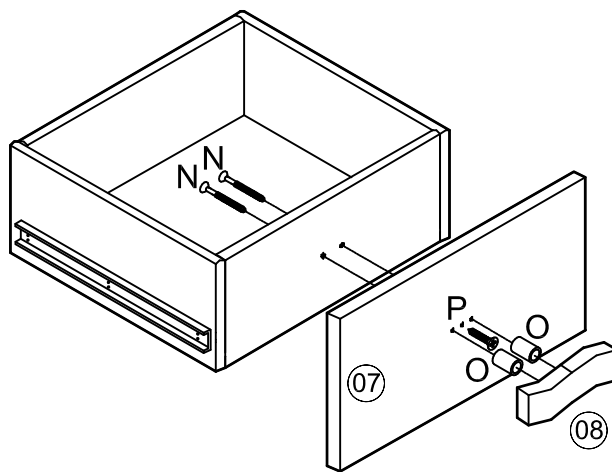
03



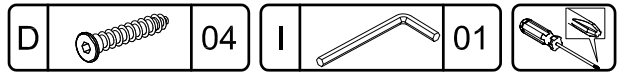
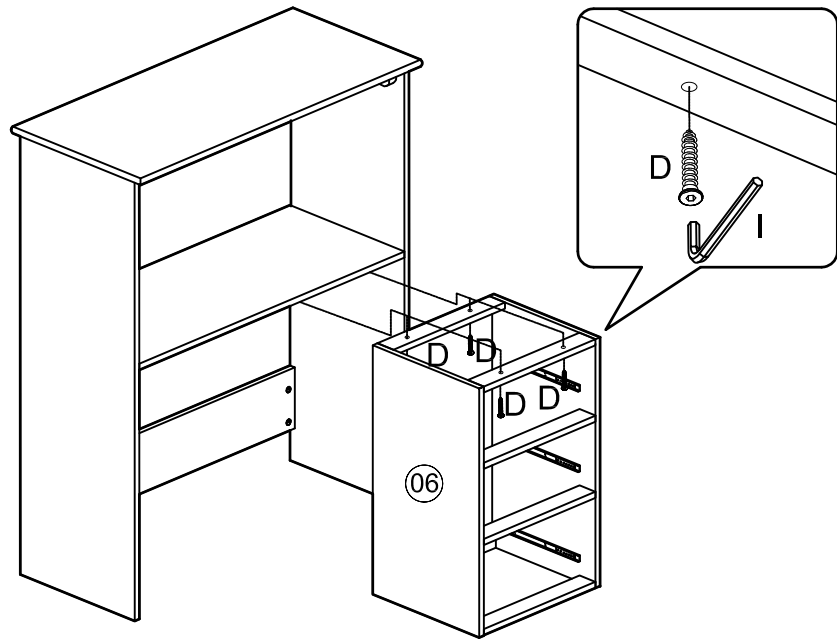
04



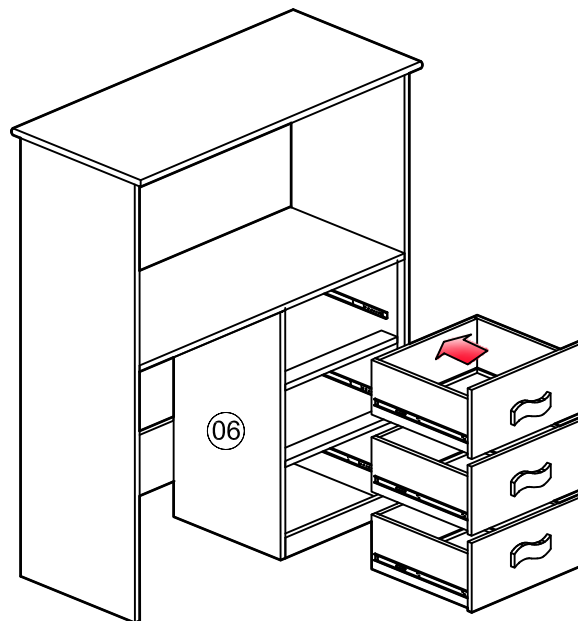
05 (3x)

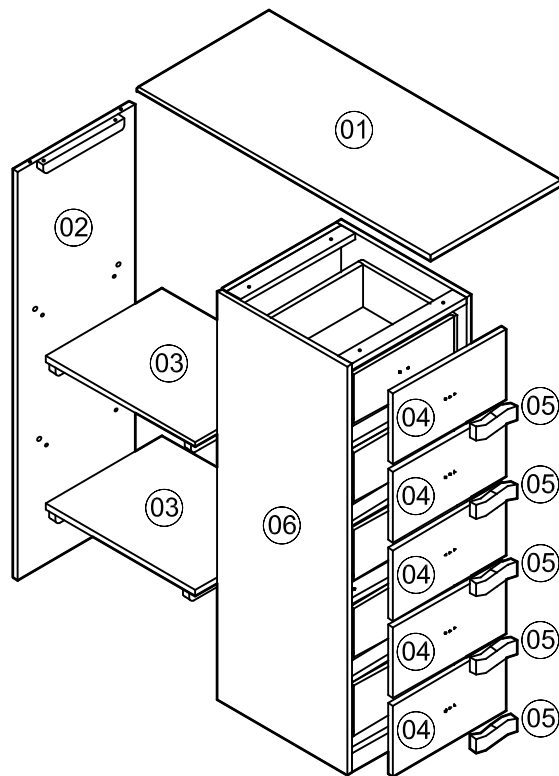
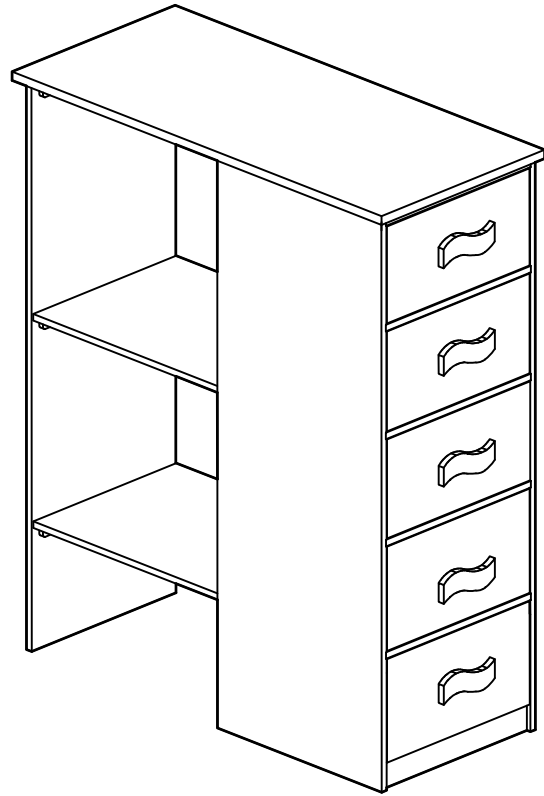


06

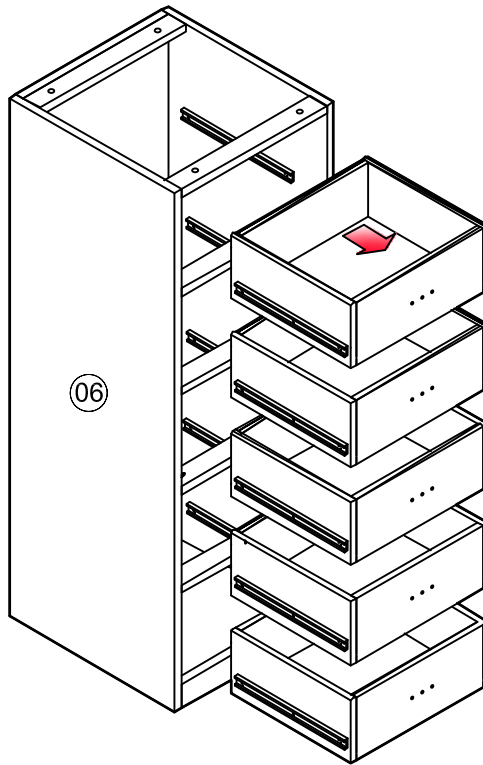


07

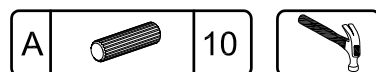
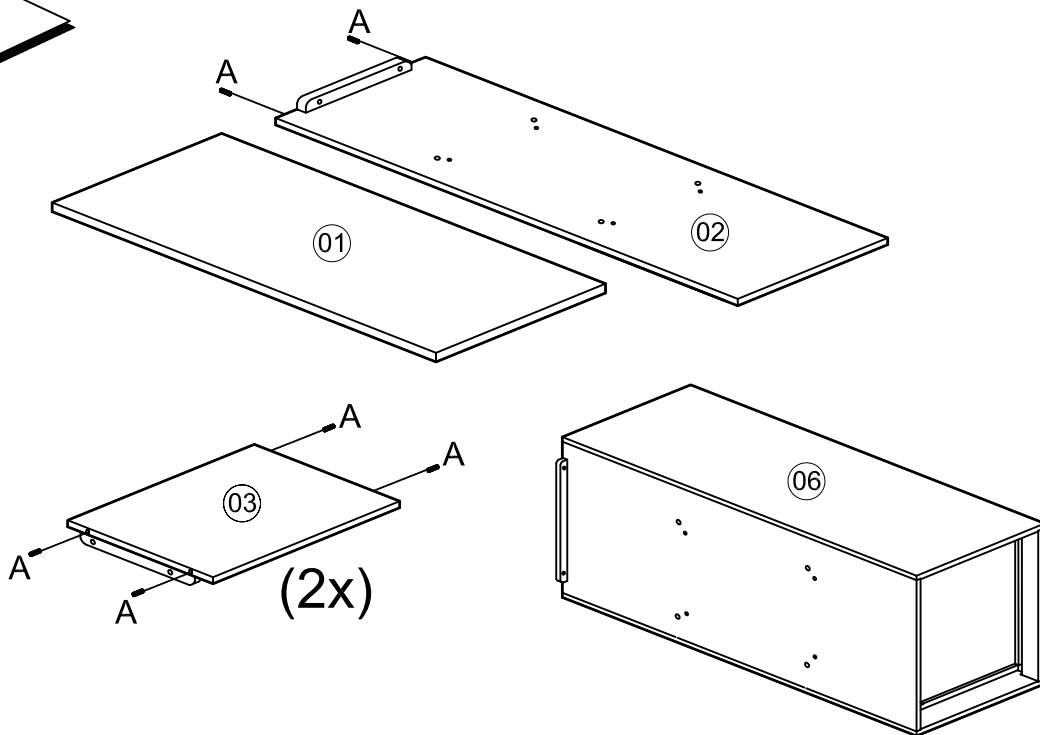




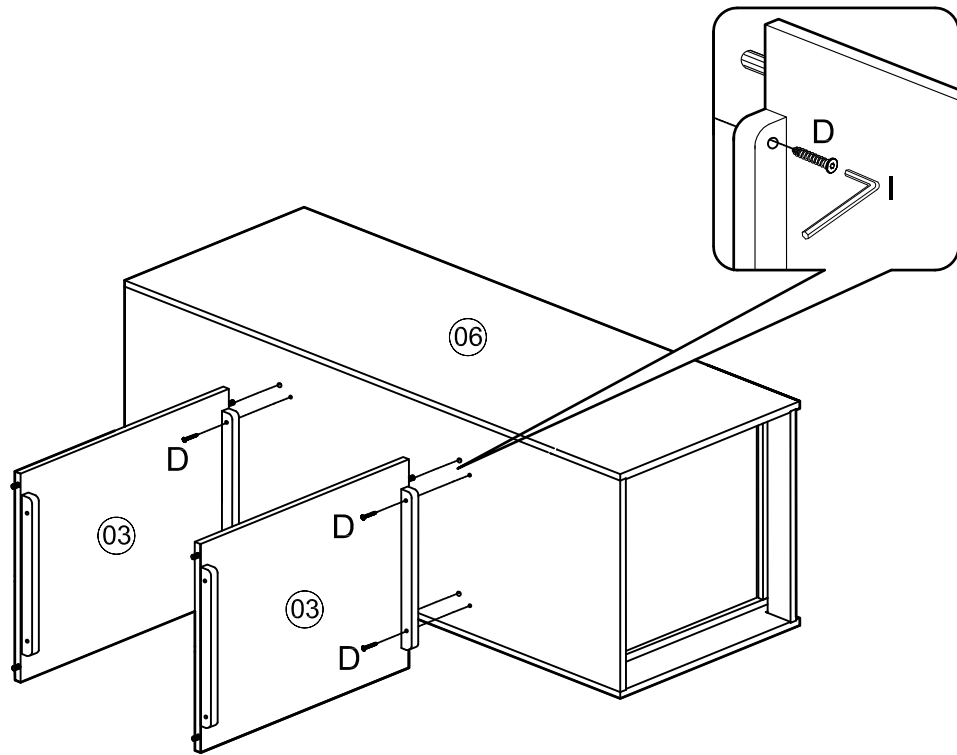
08



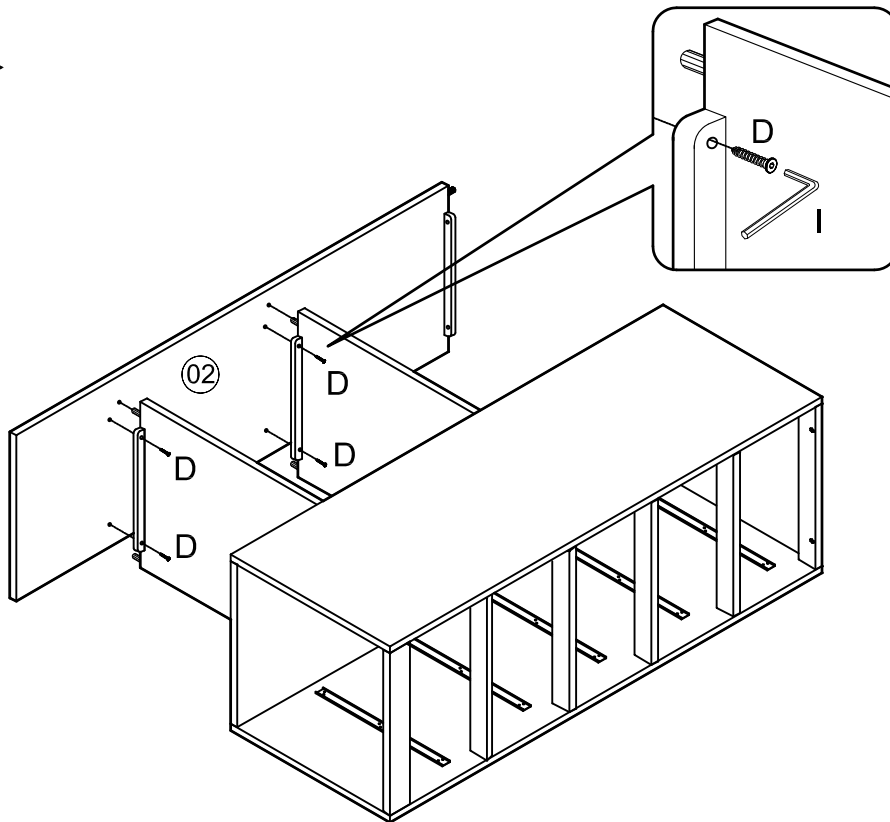
09



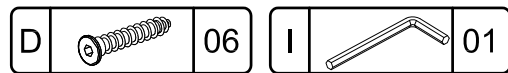
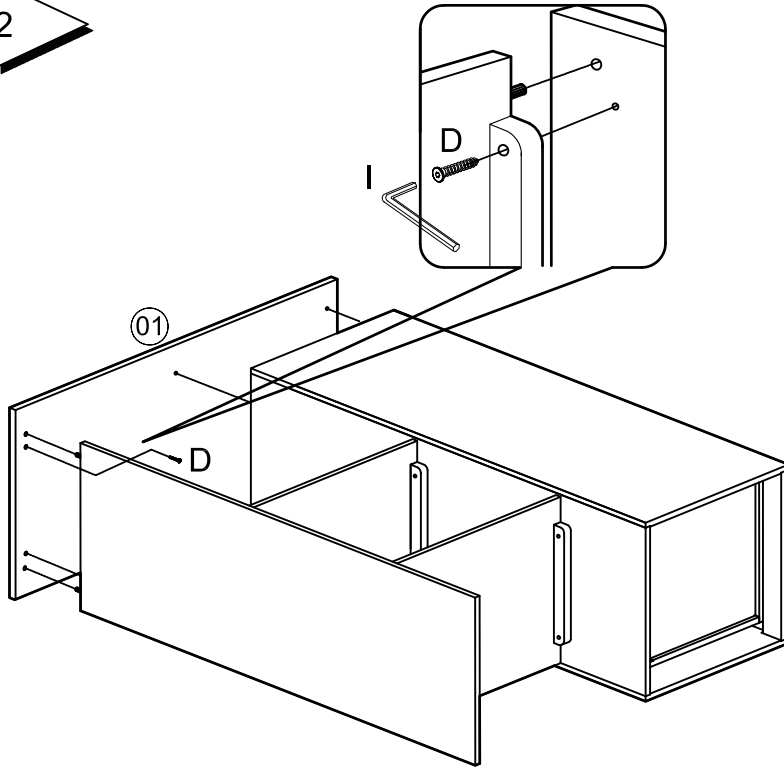
10



11

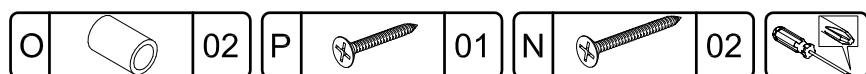
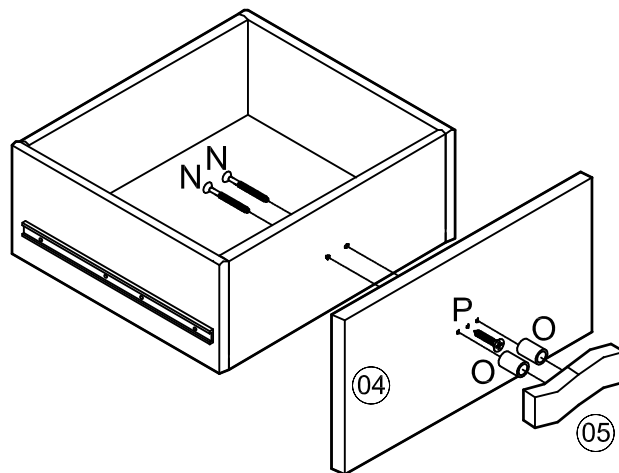


12

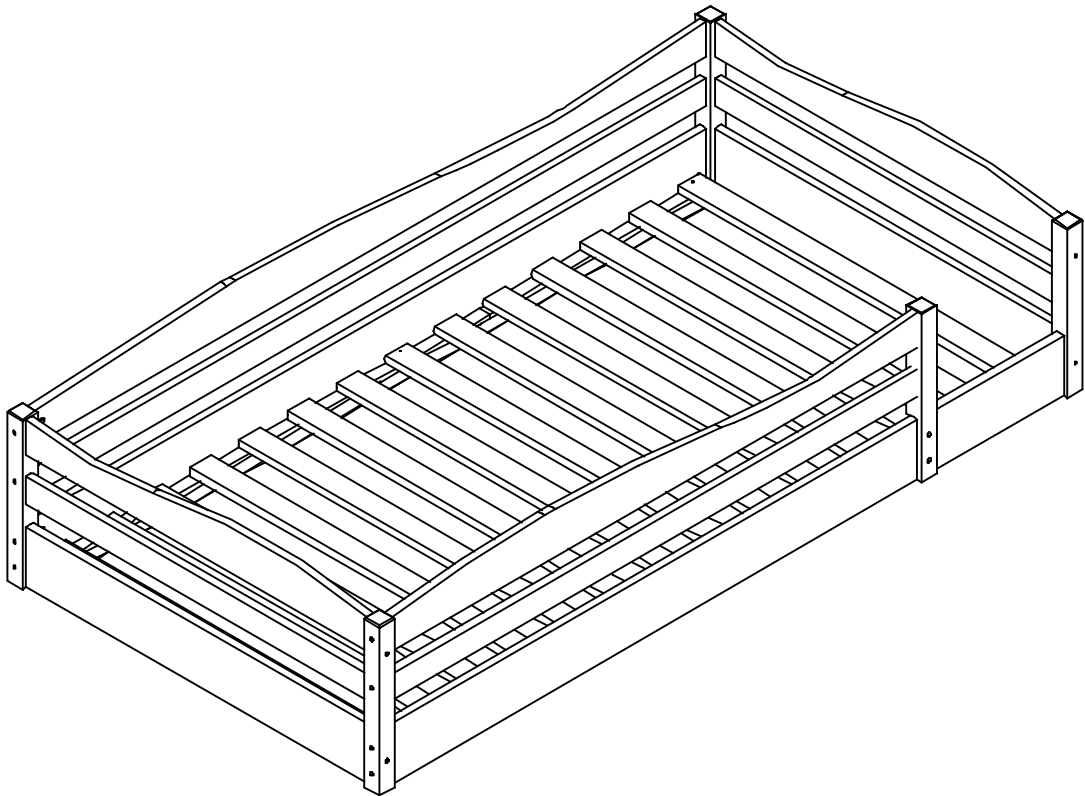
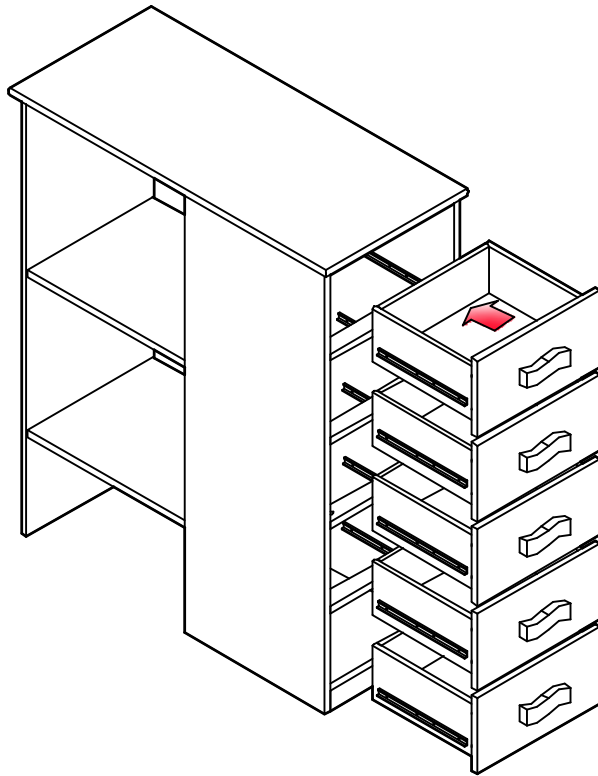


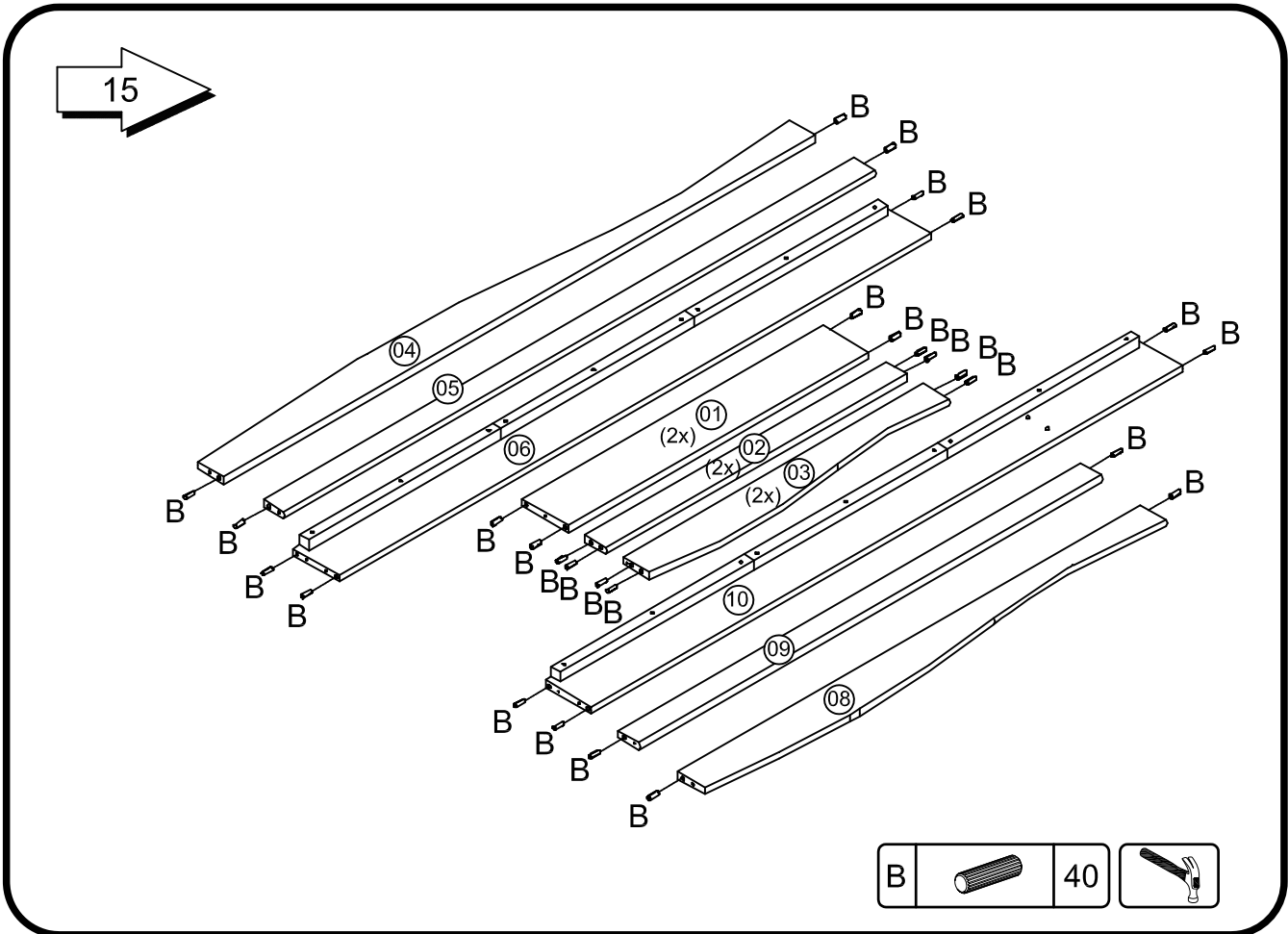
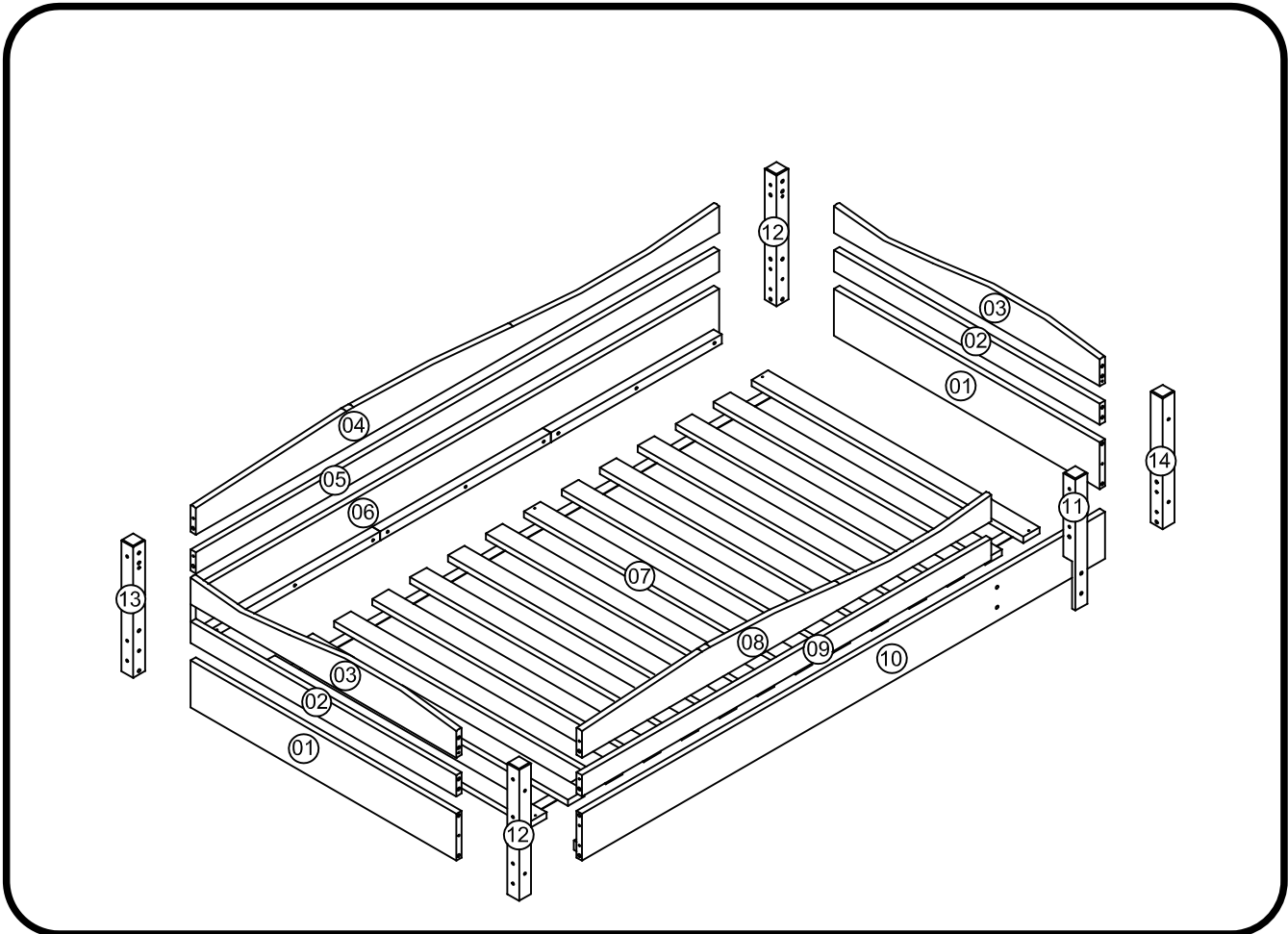
13

(5x)

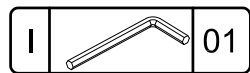
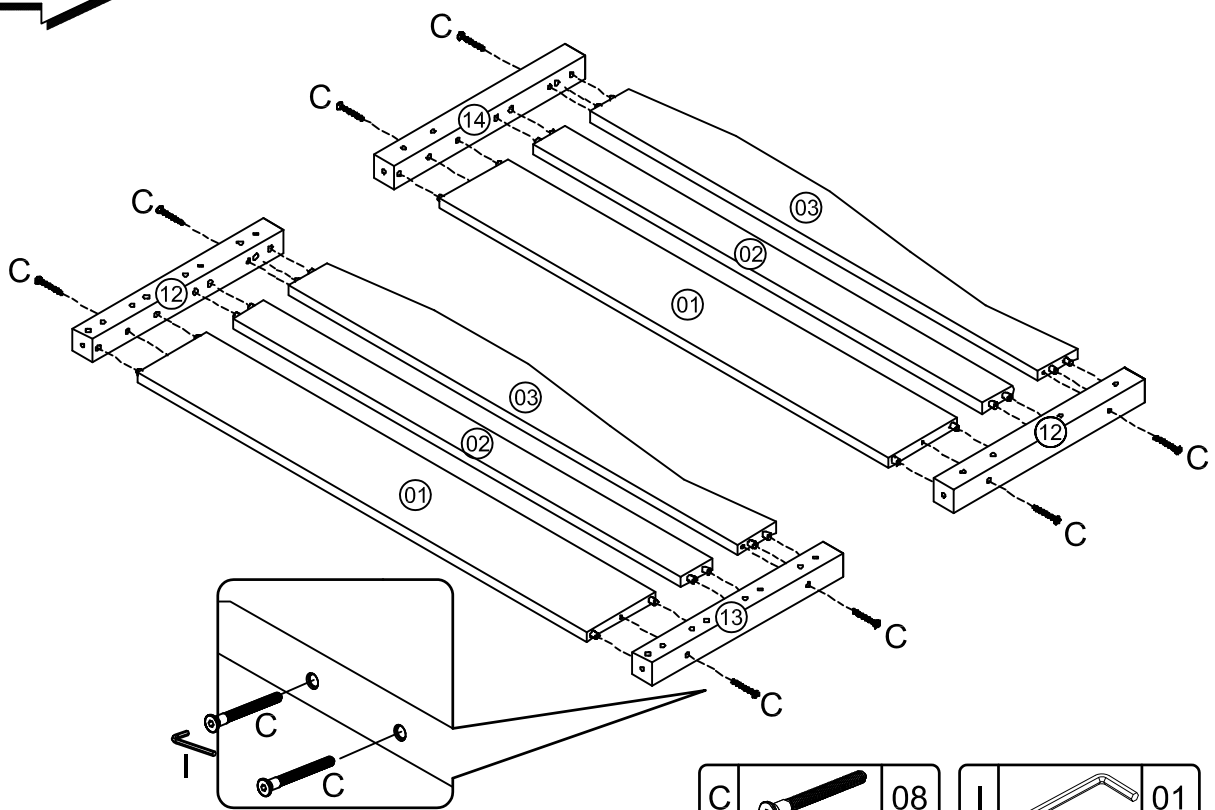


14

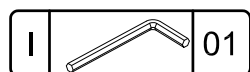
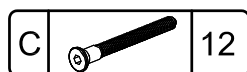
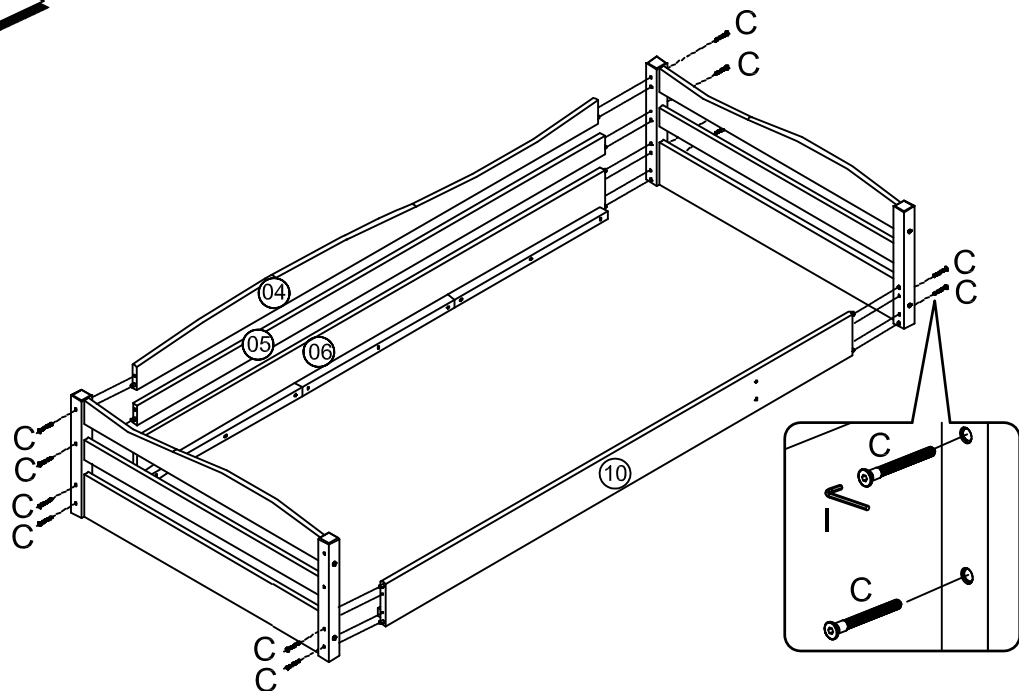




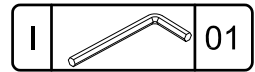
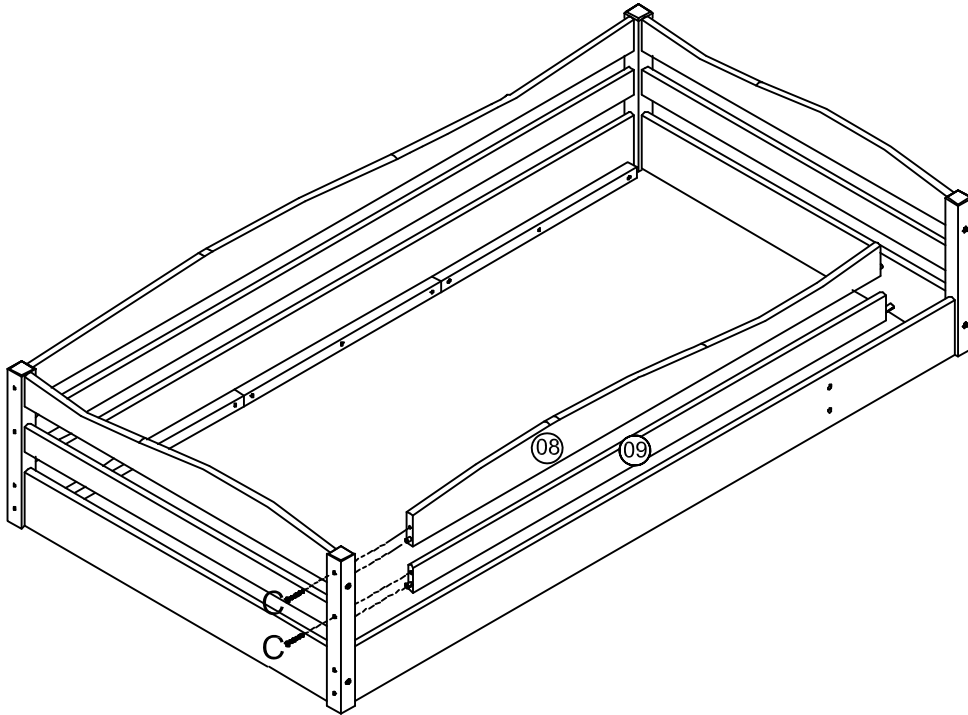
16



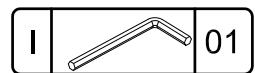
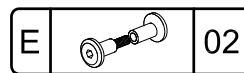
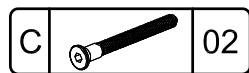
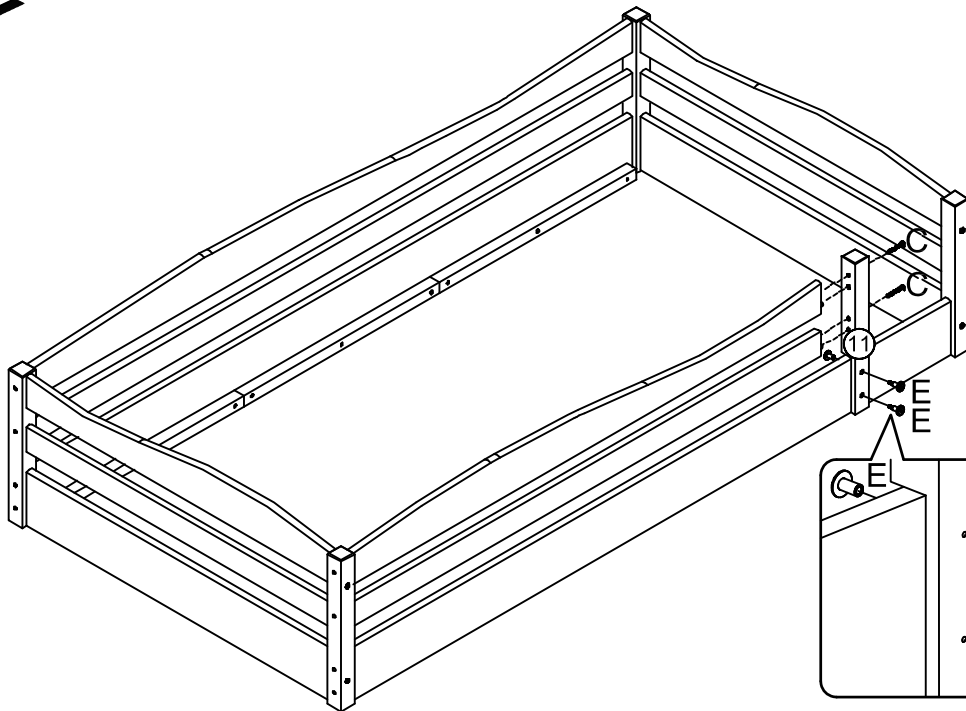
17



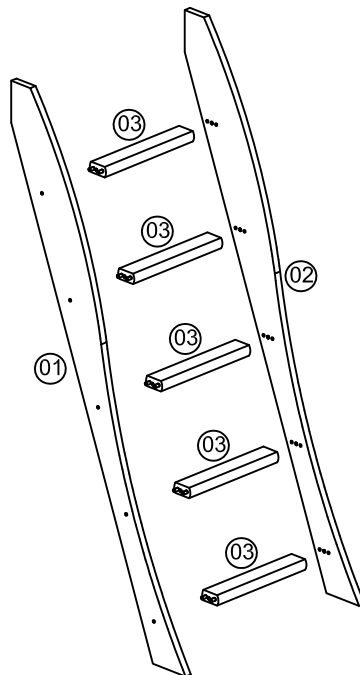
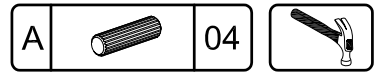
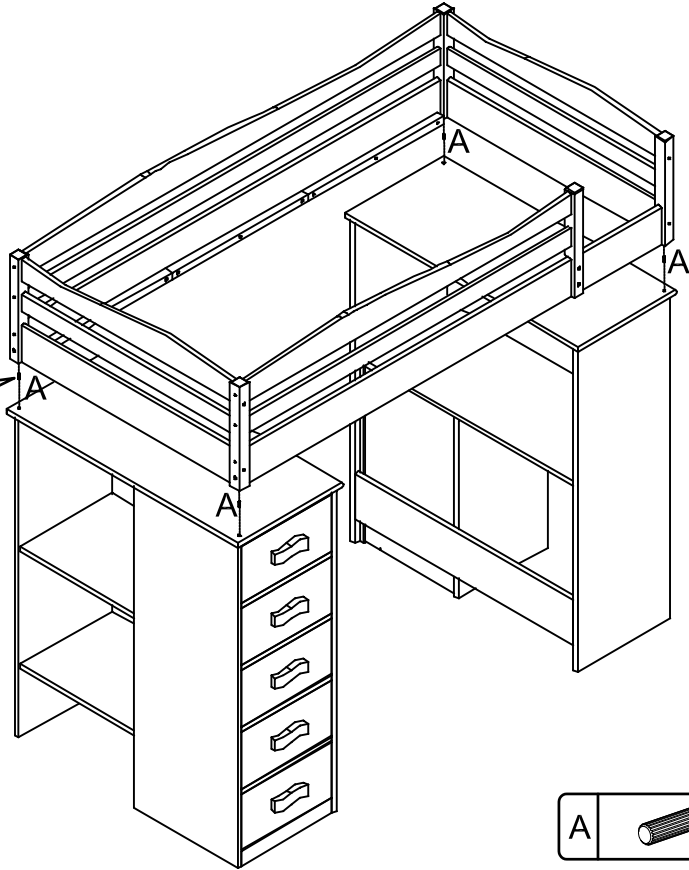
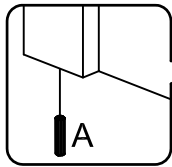
18



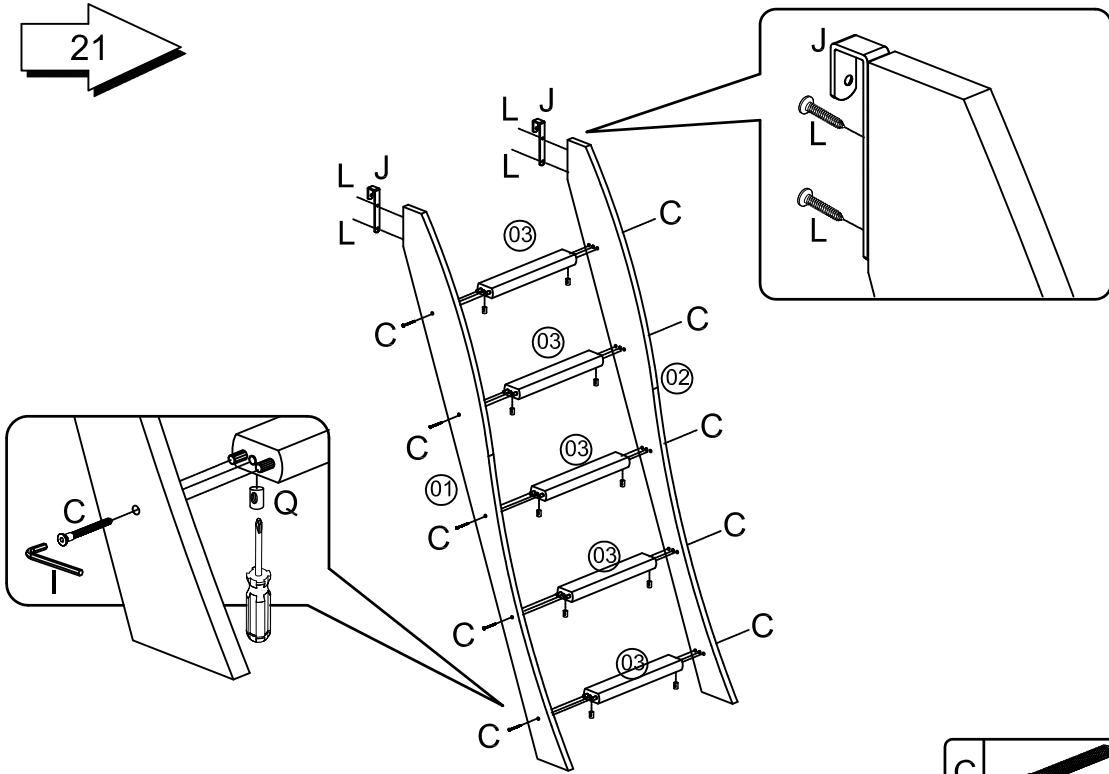
19



20



21

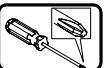


C		10
---	--	----

L		06
---	--	----

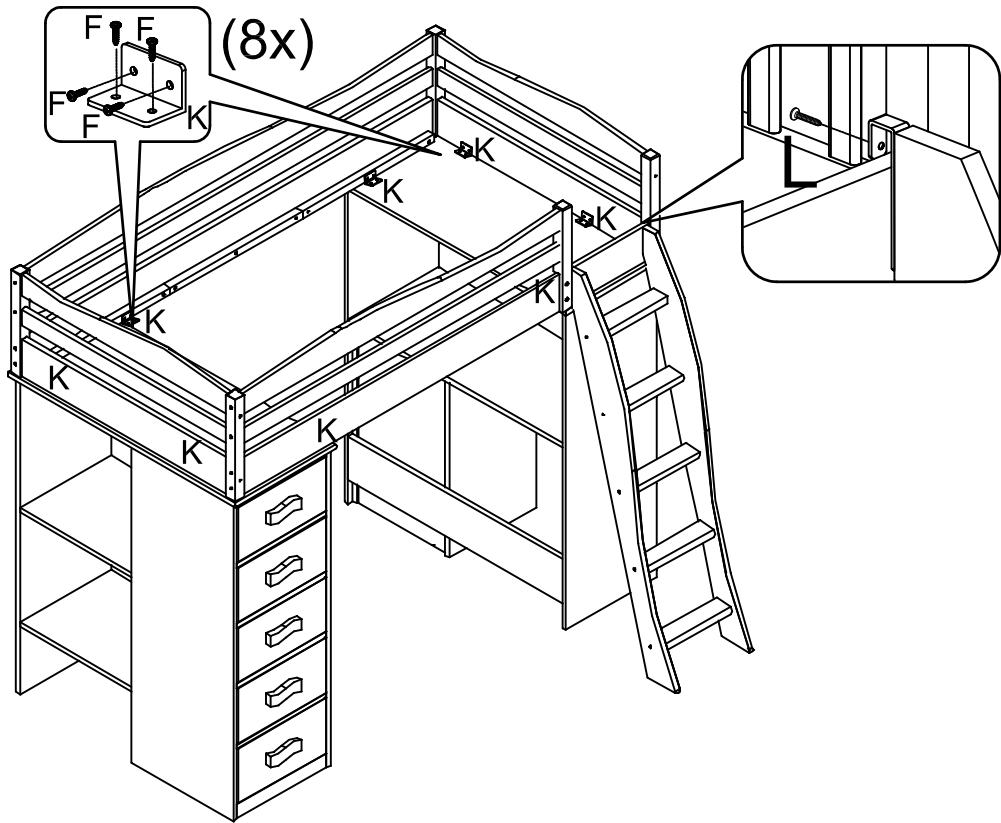
J		02
---	--	----

I		01
---	--	----



Q		10
---	--	----

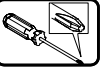
22



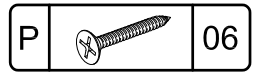
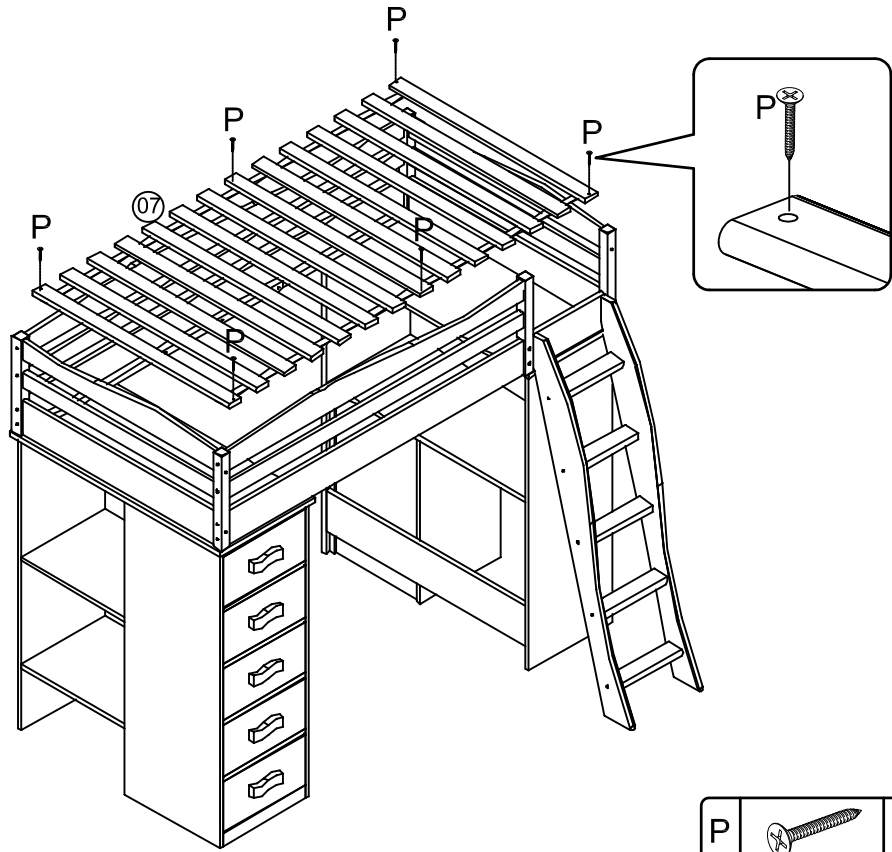
F		32
---	--	----

K		08
---	--	----

L		02
---	--	----



23



24

