

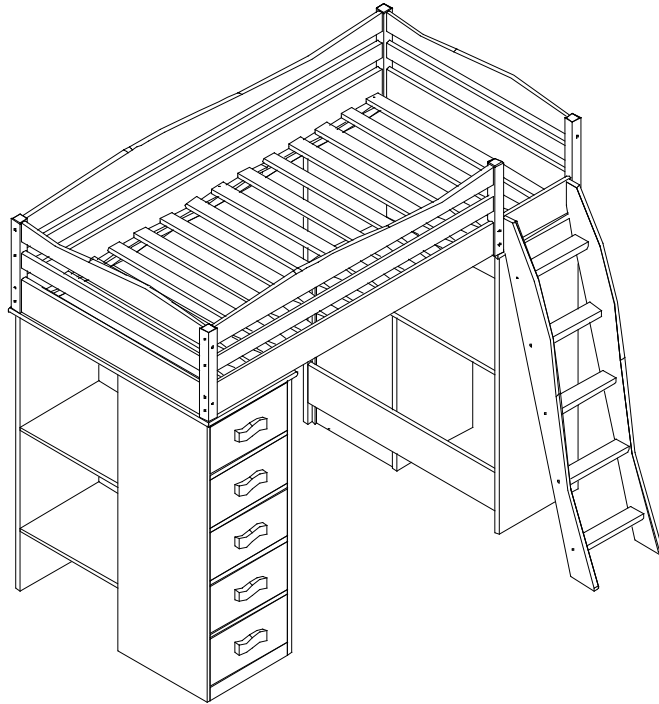


TEXTILES

Imagination Products for Kids™

Room Magic Textiles, LLC
Toll Free 866-456-9595
www.roommagic.com

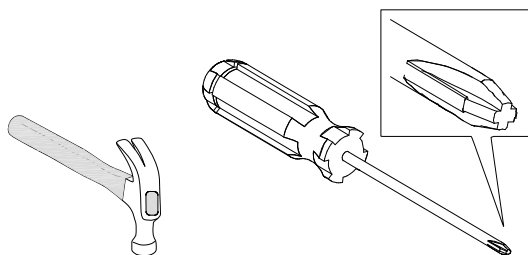
ROOM MAGIC
LOFT MAGIC Model No. RM78
Assembly Instructions
Made in Thailand



All Room Magic furniture is designed to change with your child. All drawer fronts are reversible. One side is finished in colorful stains; the other side has a Natural finish. All Drawers come with naturalwave knobs as well as the collection knobs, which are shipped separately. You can change the look of the piece and your room by simply removing the knobs, and flipping the drawer fronts. You can change the knobs, or use the Natural knobs with the Natural drawer fronts to create a completely different look as your child outgrows the colorful look.

Thank you for purchasing this quality product. A list of PARTS and INSTRUCTIONS is included to assist you. Unpack and identify all parts included on the Parts List and hardware List. If parts are missing, call our Customer Service Department at 866-698-1107. For efficient and speed service, please indicate the model number and code letter of part(s) needed.

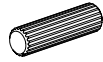
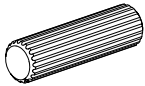
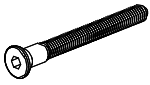
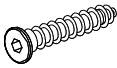
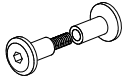
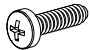
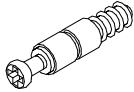
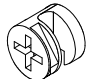
**TOOLS REQUIRED
FOR ASSEMBLY**

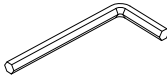
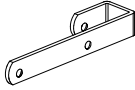
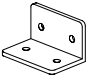
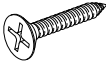
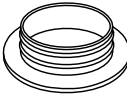

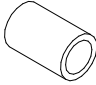



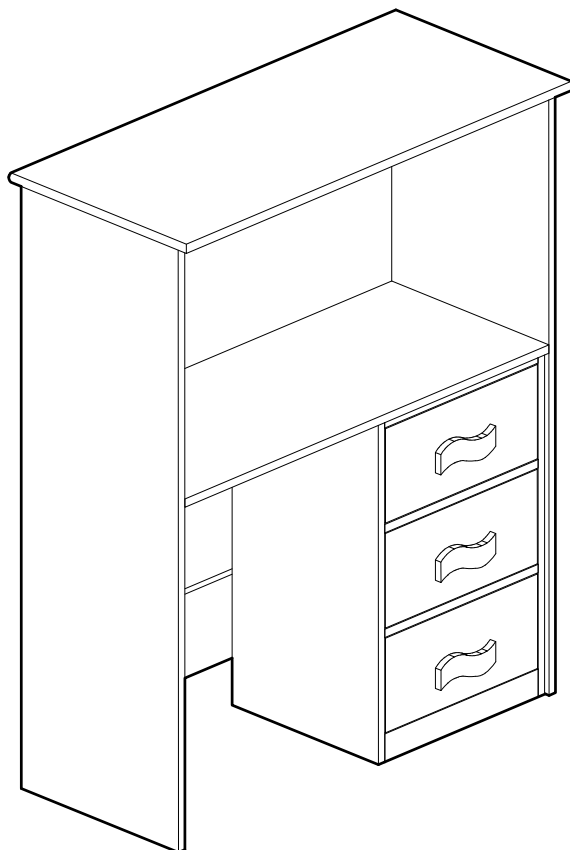
BEFORE YOU BEGIN

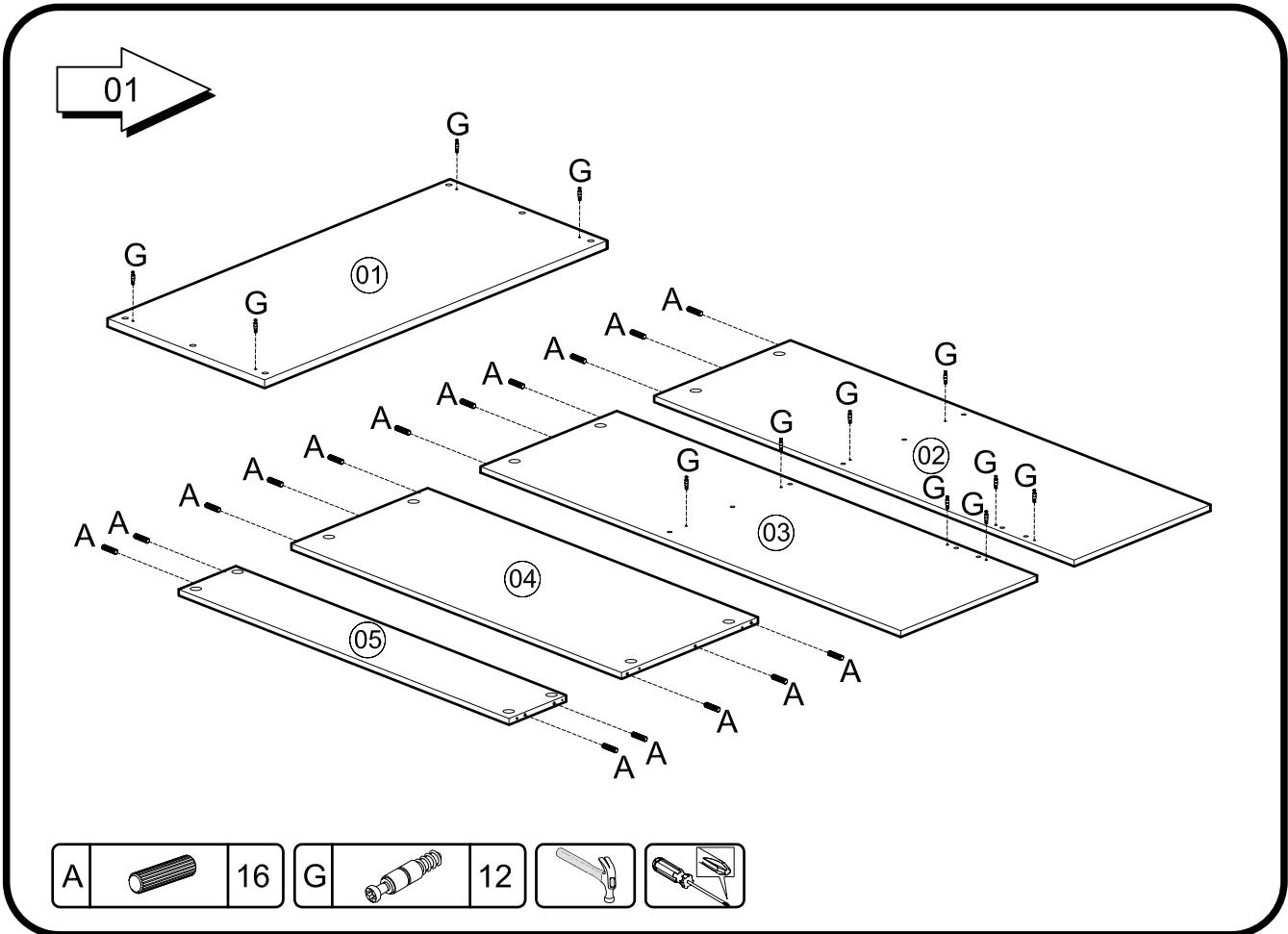
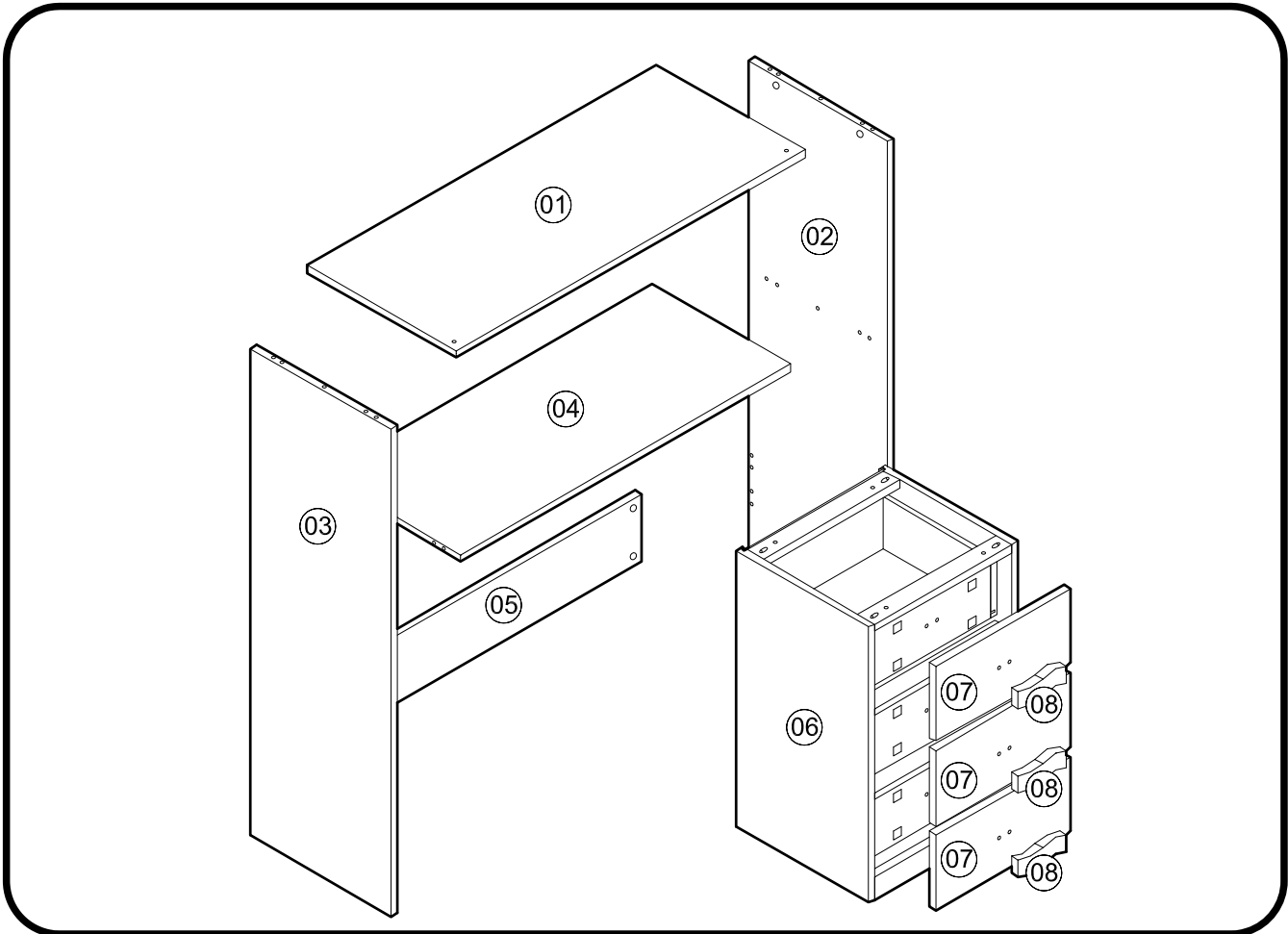
Please read through this entire instruction sheet.

NOTE: If using POWER TOOLS, be careful not to OVER-TIGHTEN.

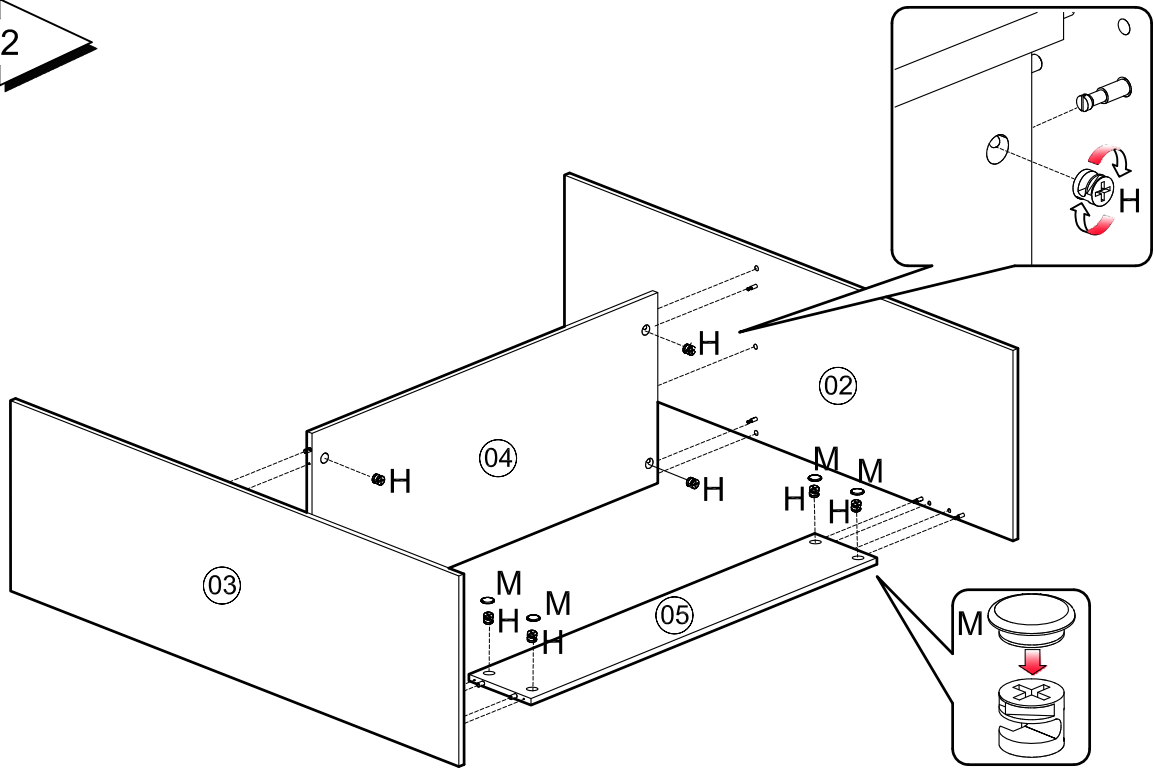
A		35
B		40
C		34
D		14
E		02
F		18
G		22
H		22

I		01
J		02
K		04
L		04
M		10
N		16
O		16
P		08

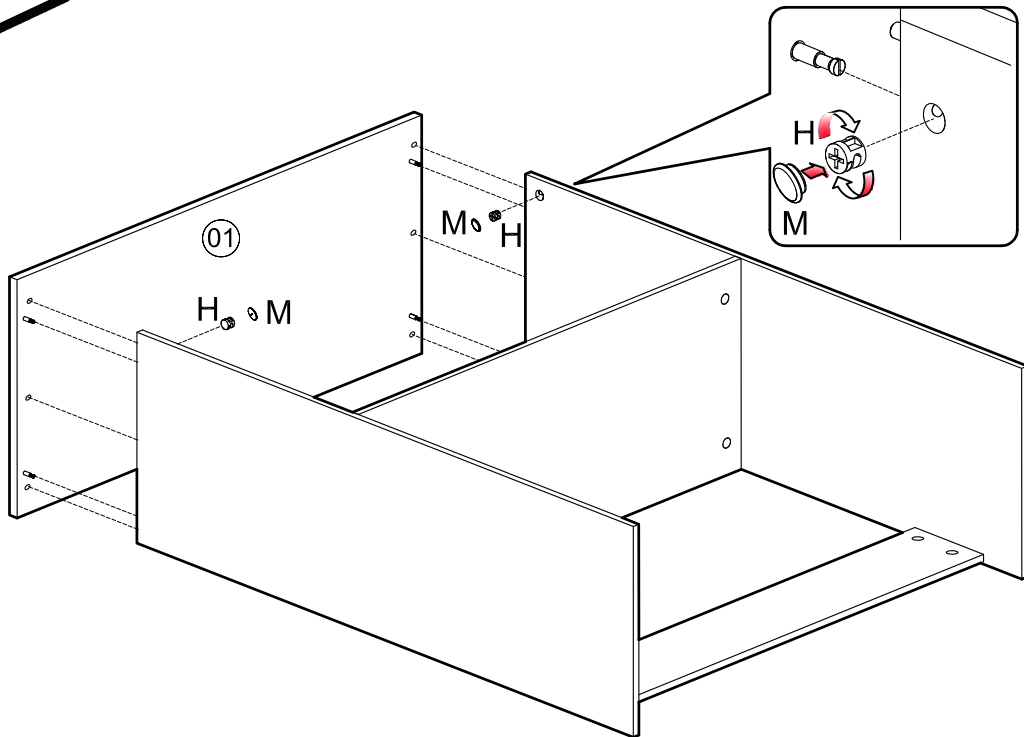




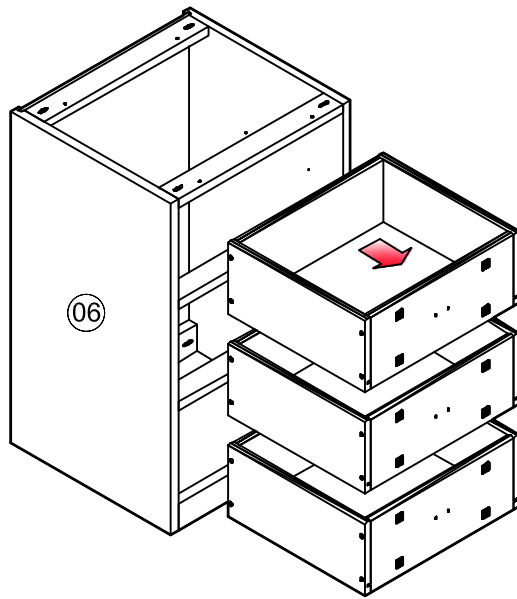
02



03

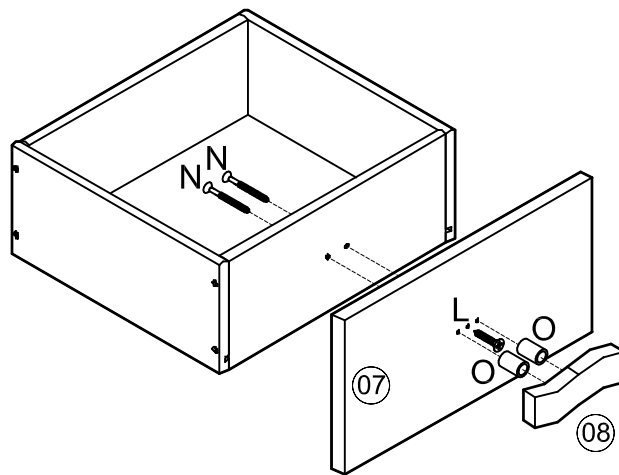


04

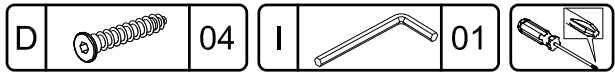
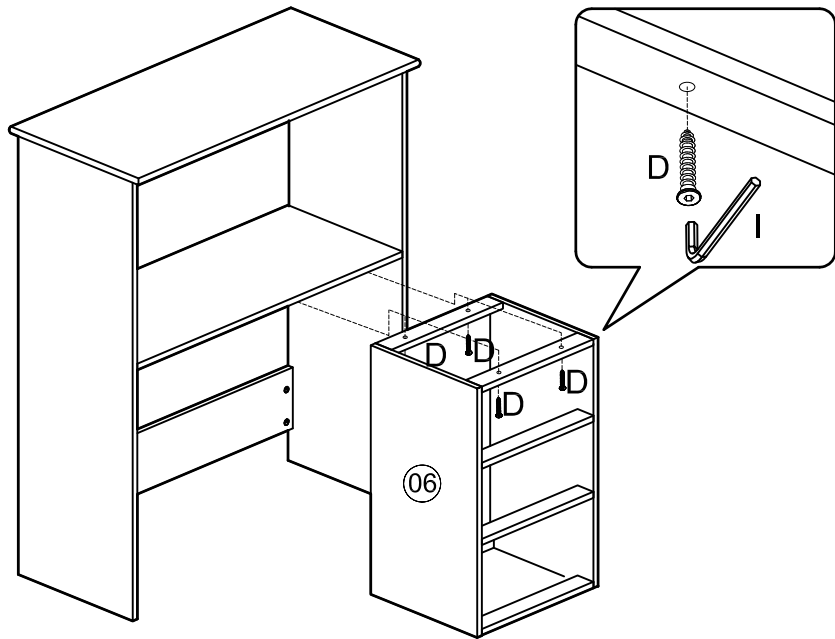


05

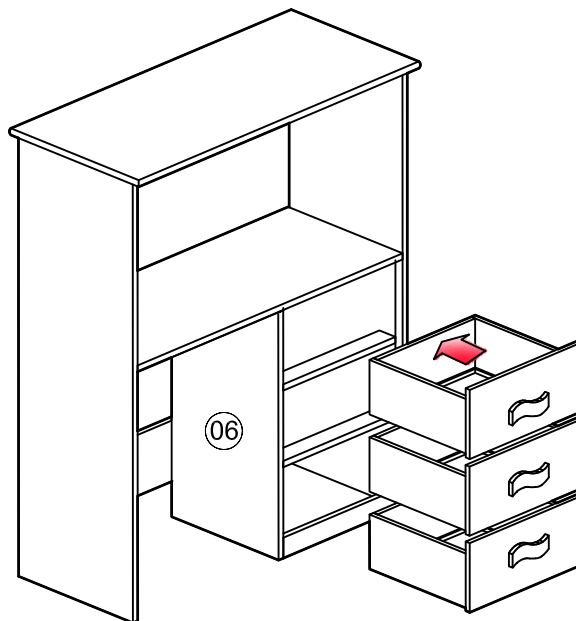
(3x)

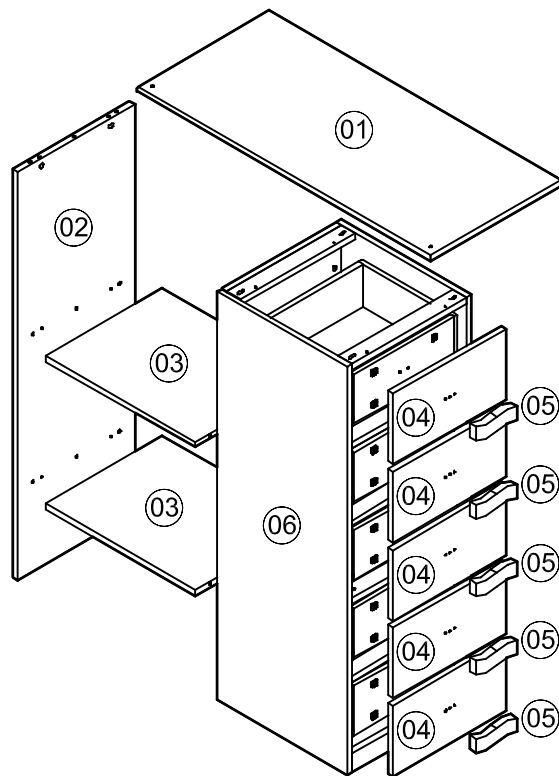
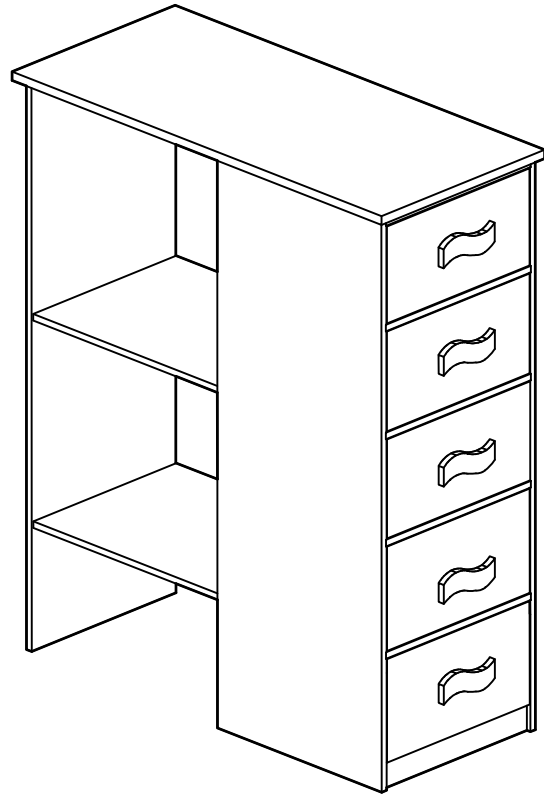


06

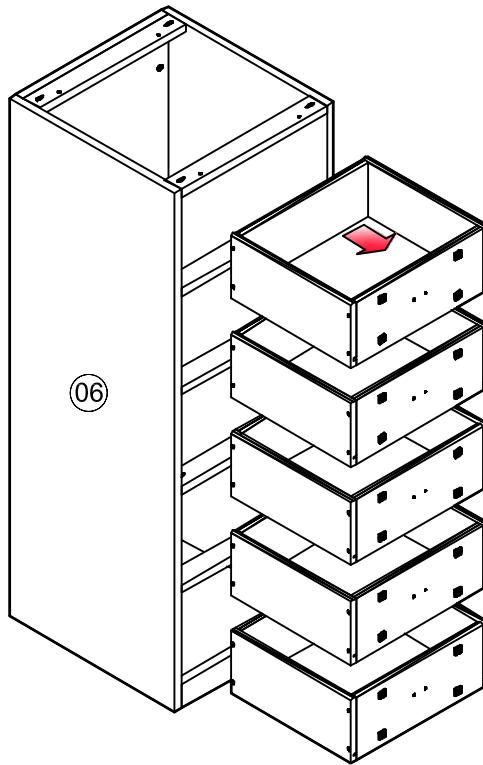


07

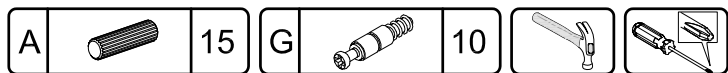
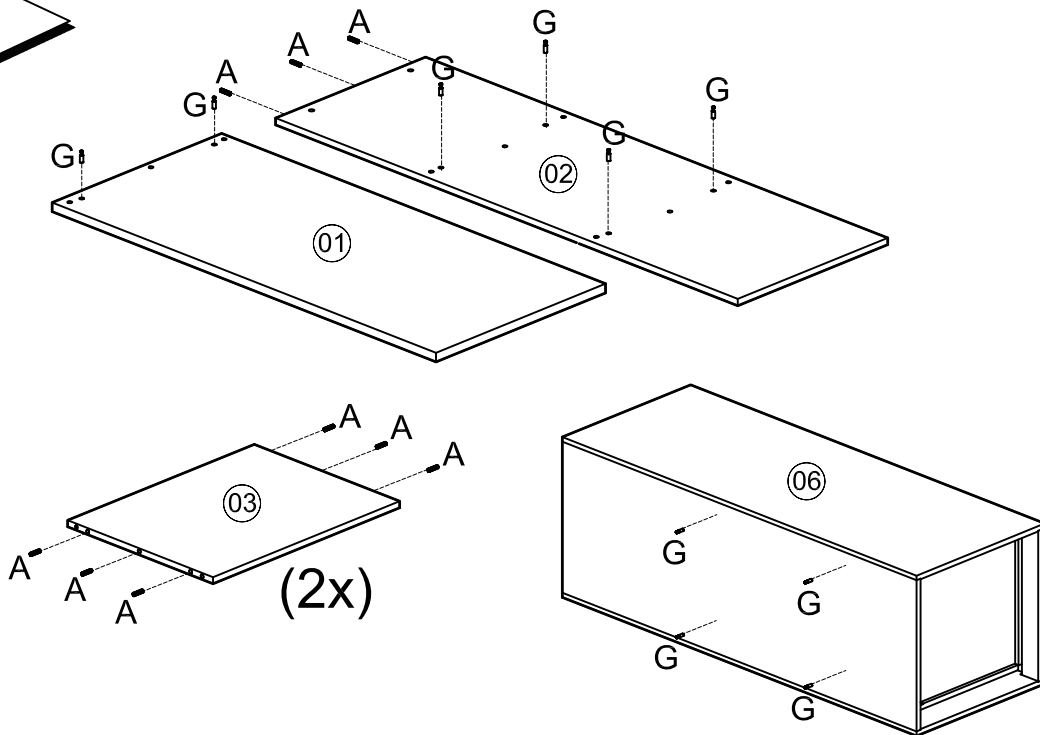




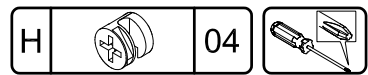
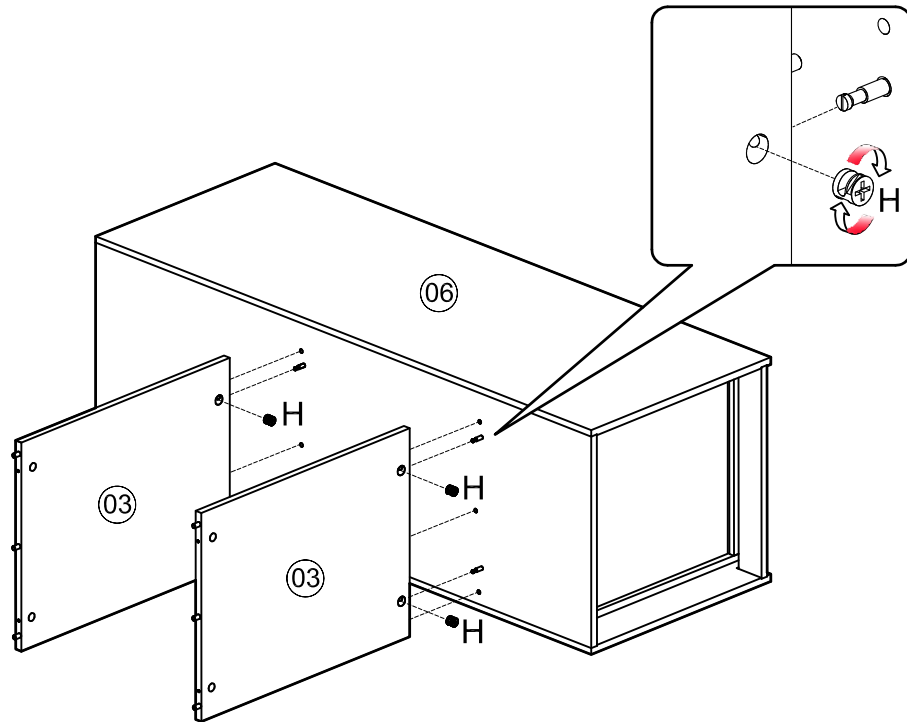
08



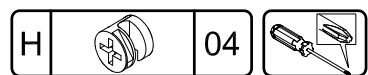
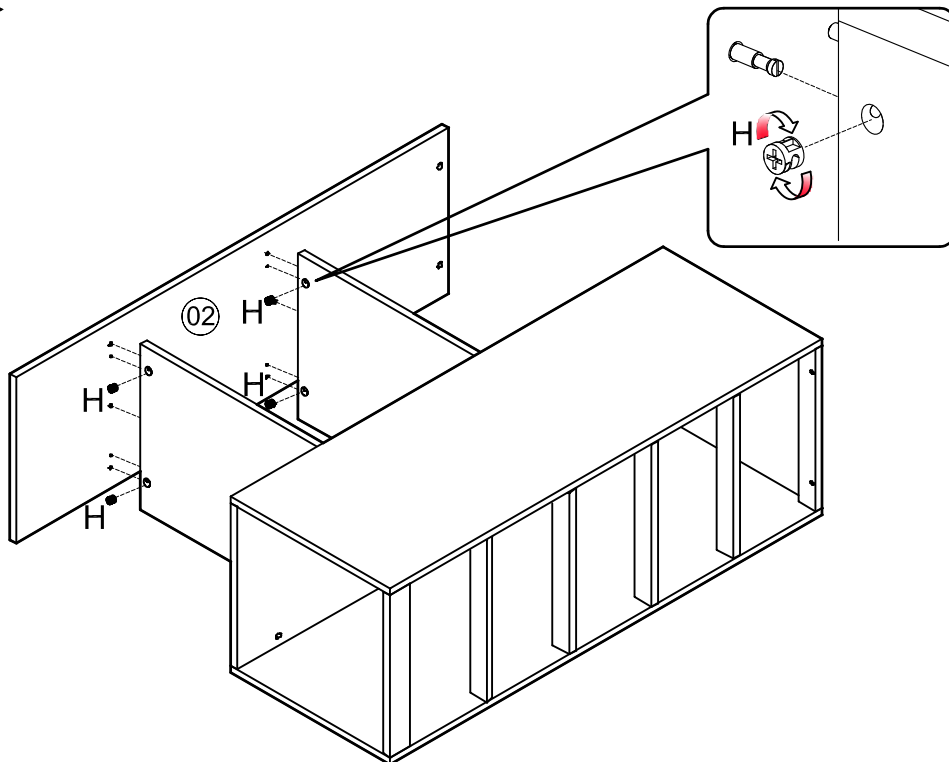
09



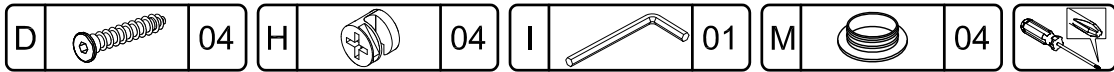
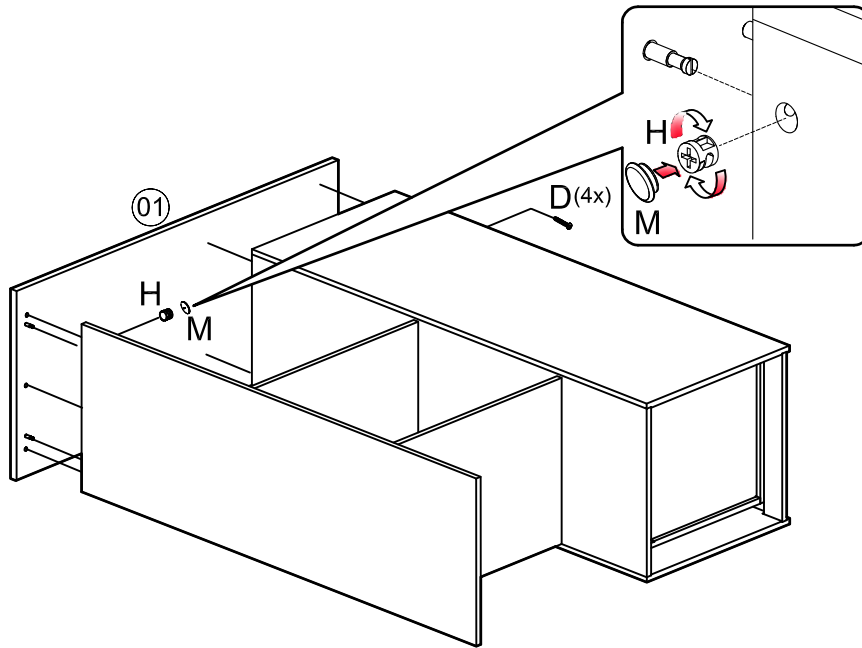
10



11

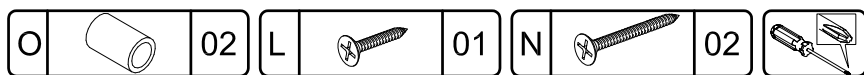
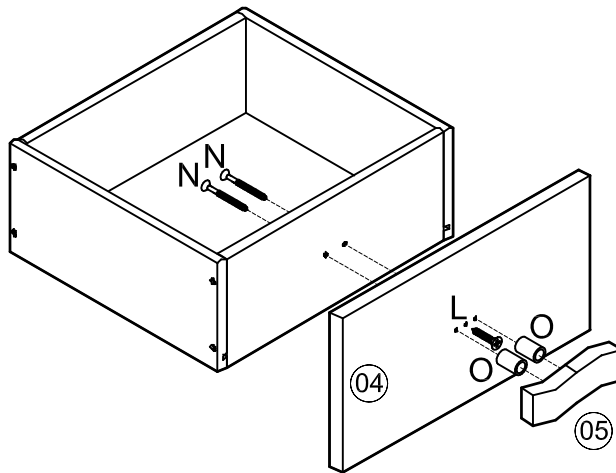


12

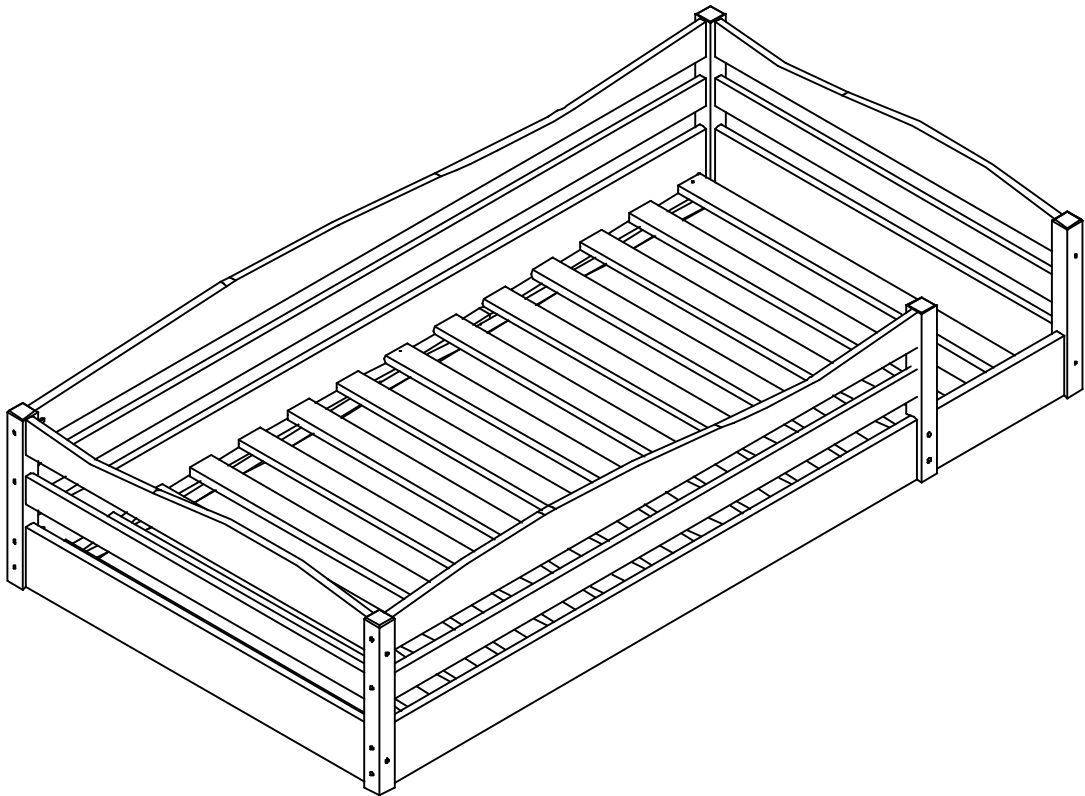
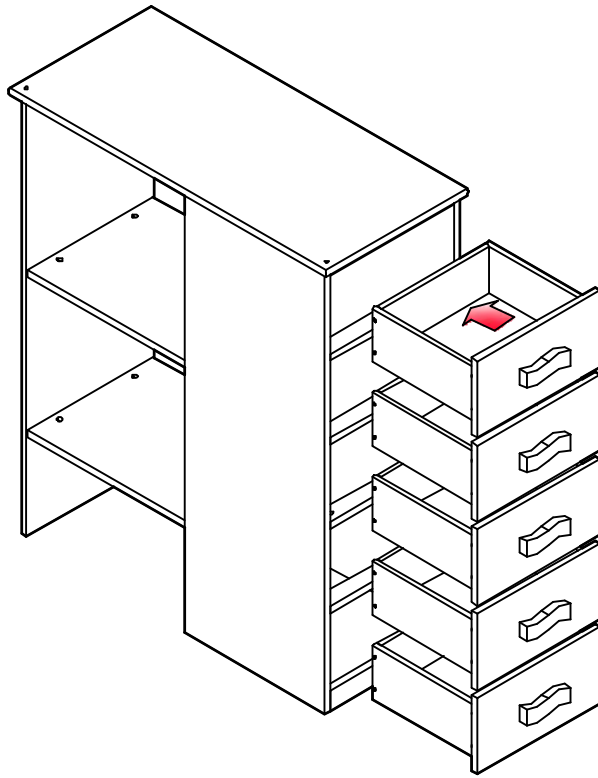


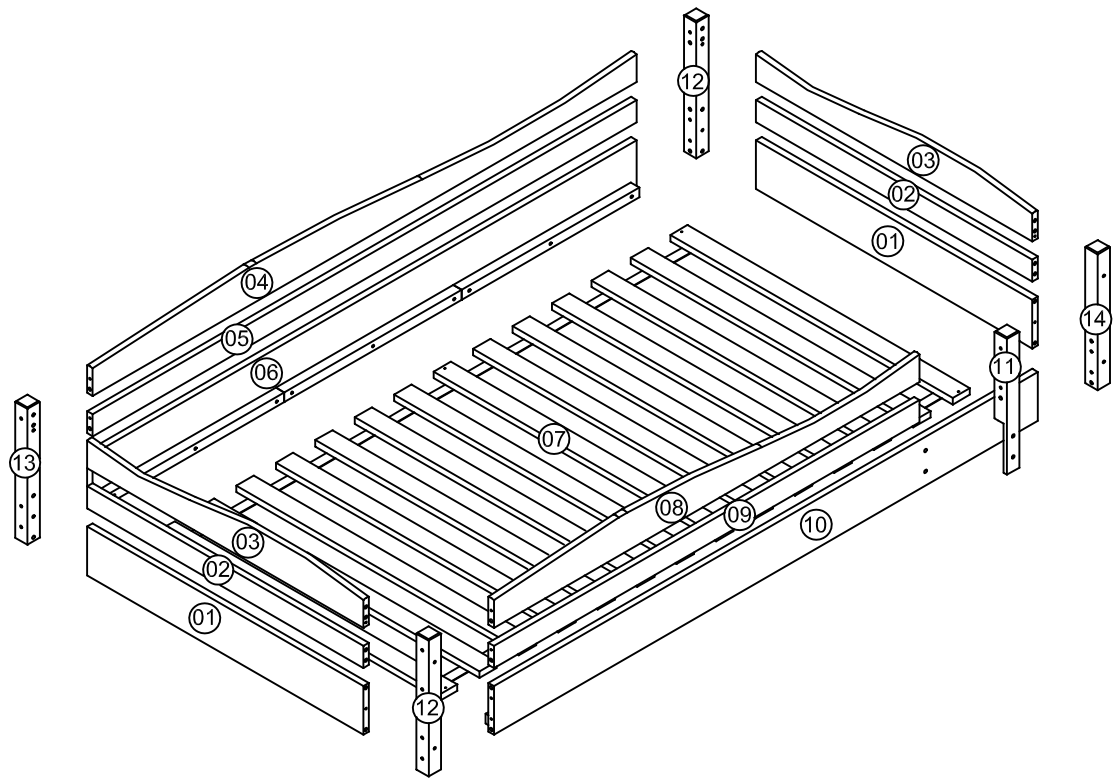
13

(5x)

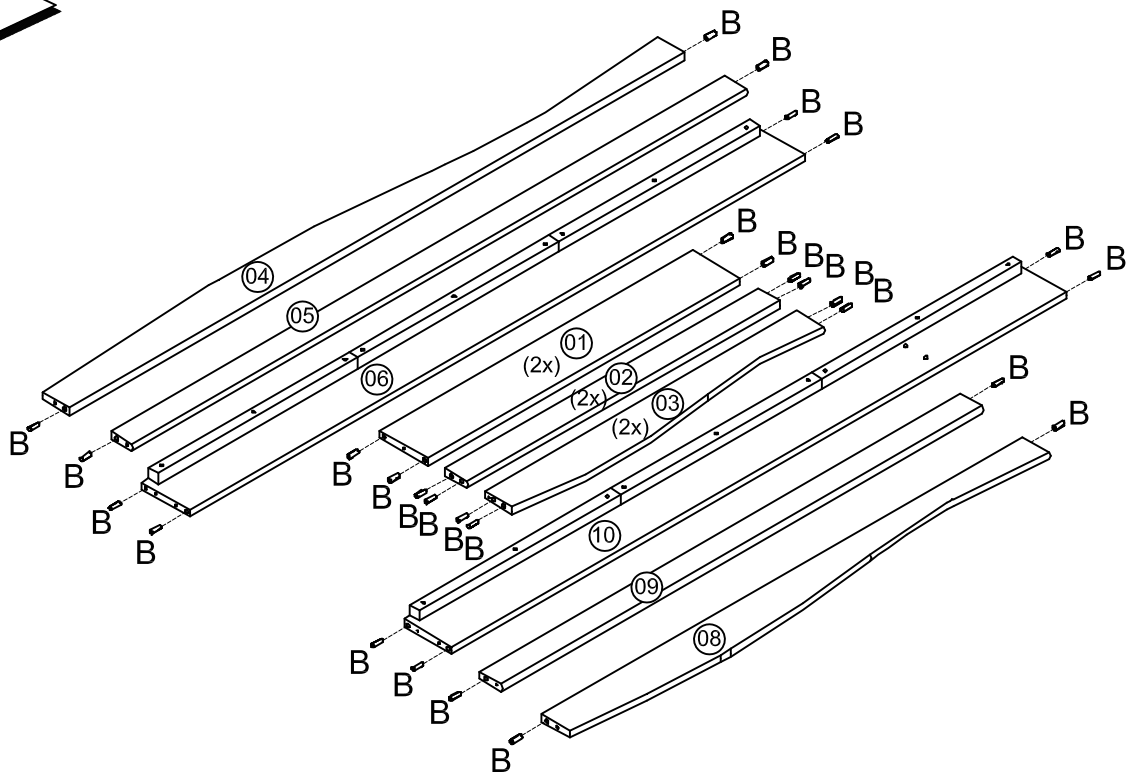


14

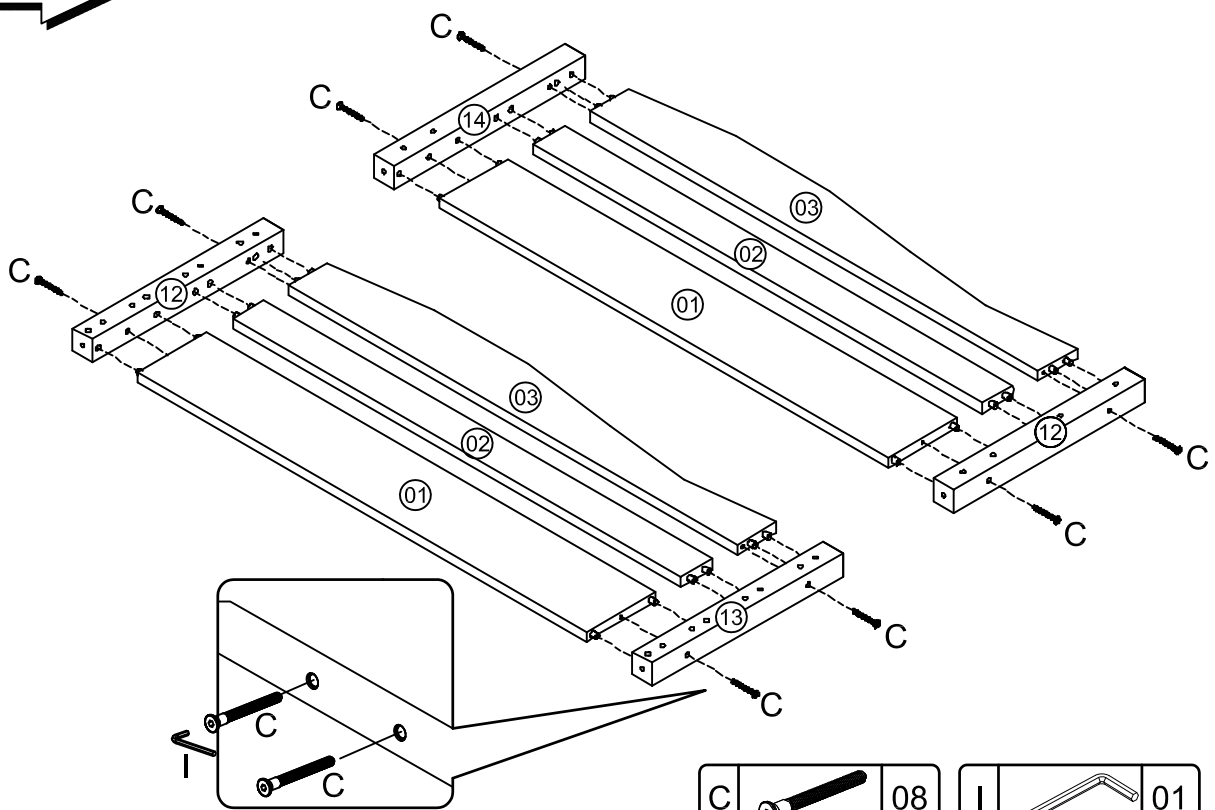




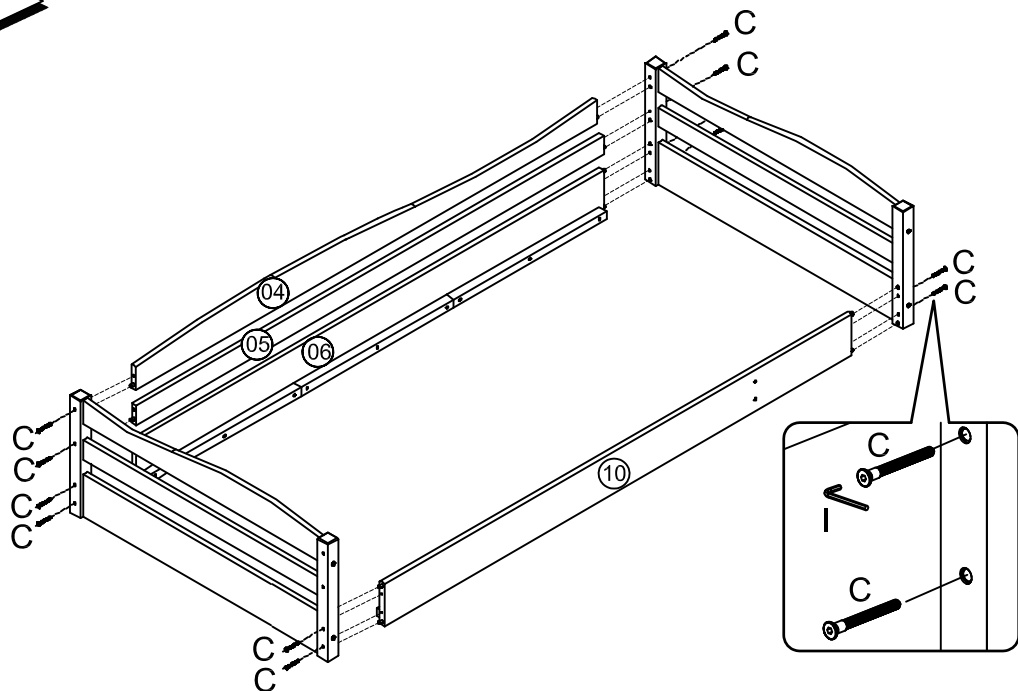
15



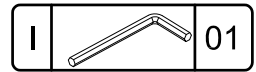
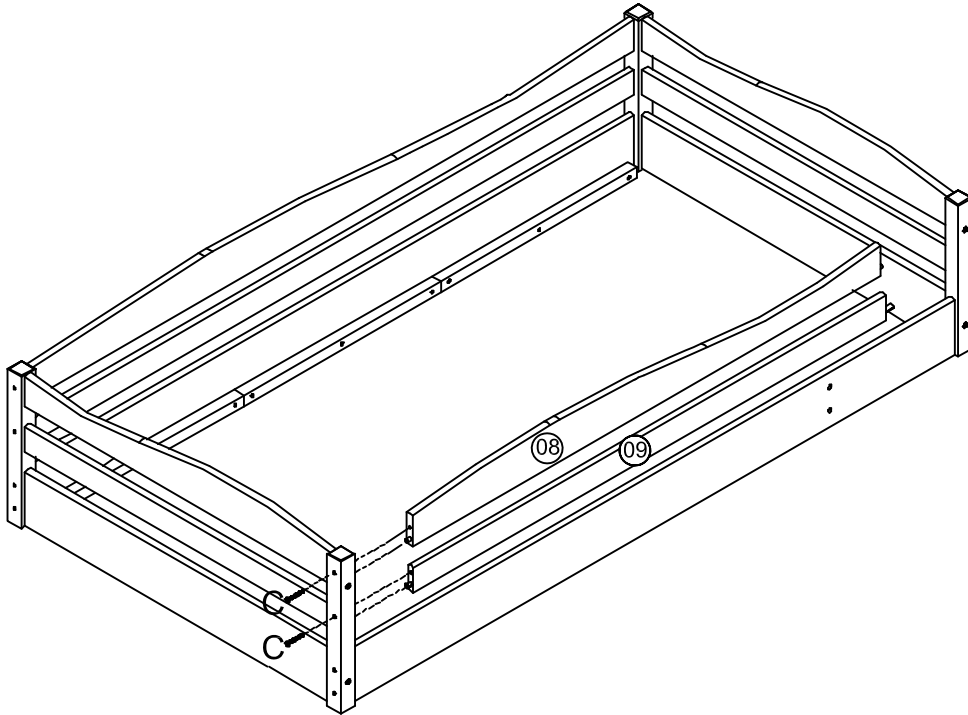
16



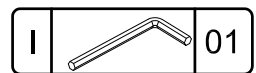
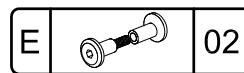
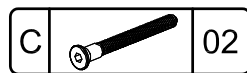
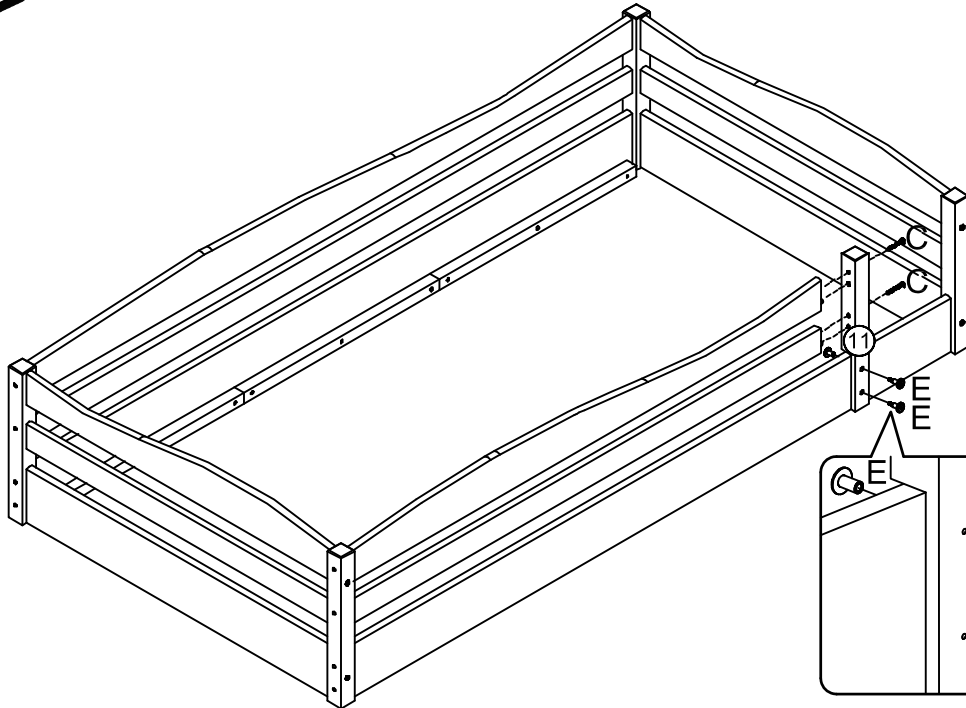
17



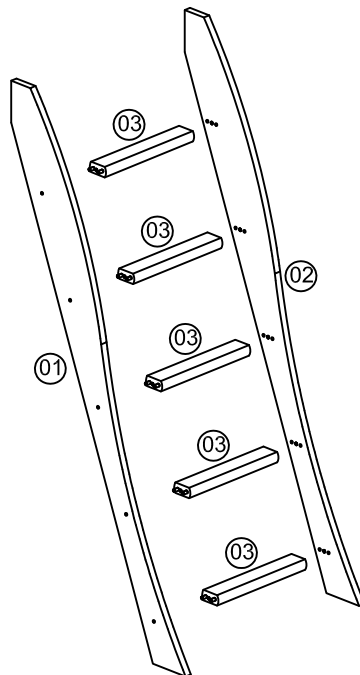
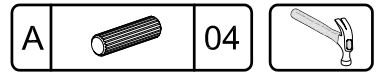
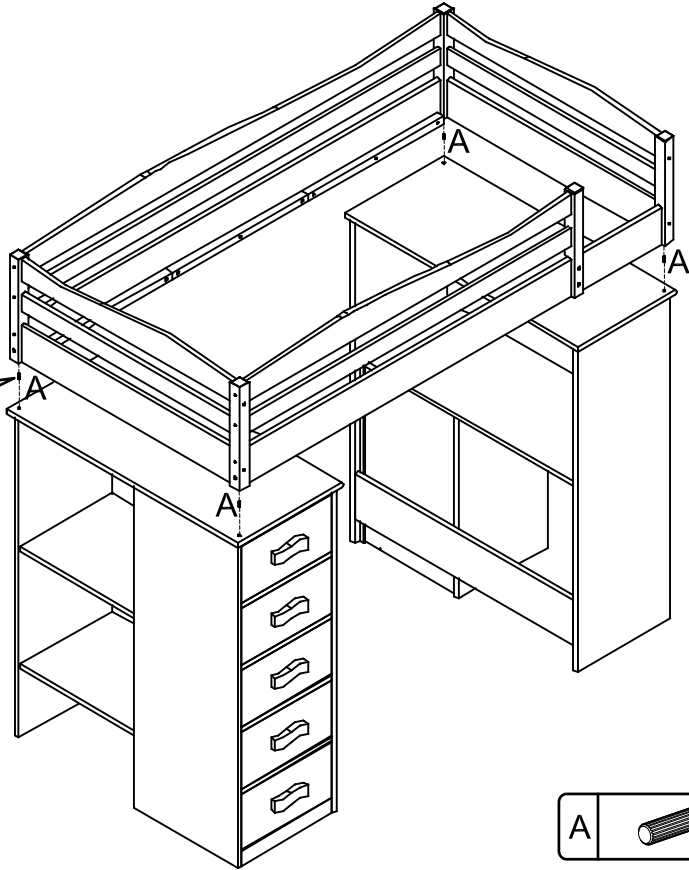
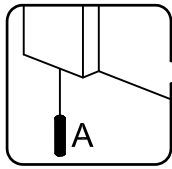
18



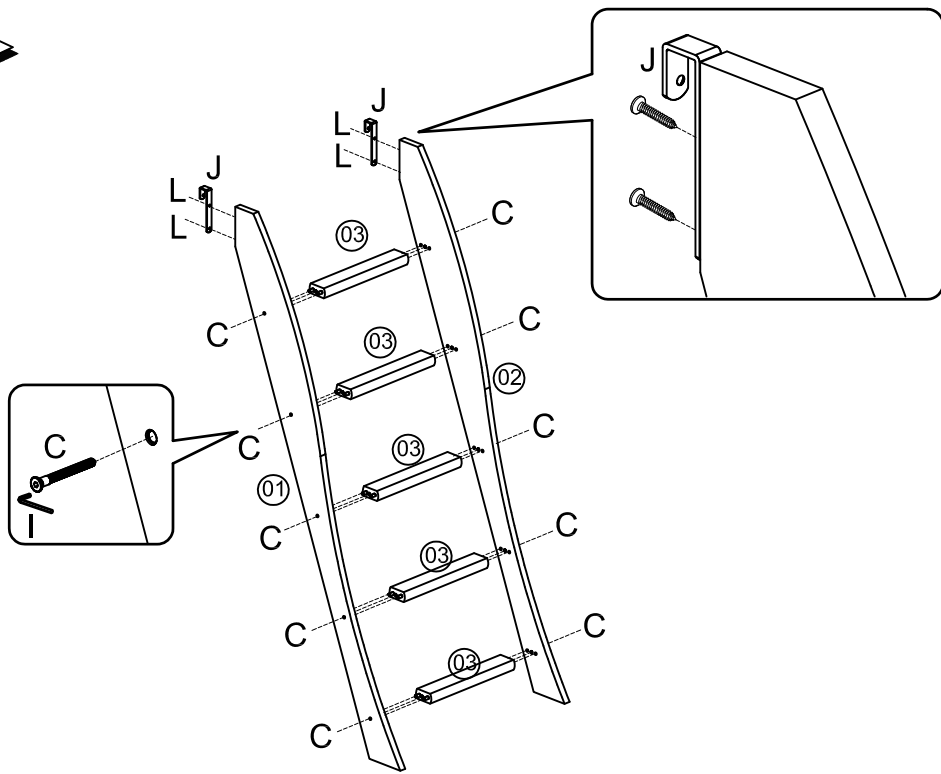
19


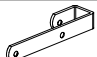


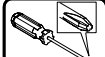


20

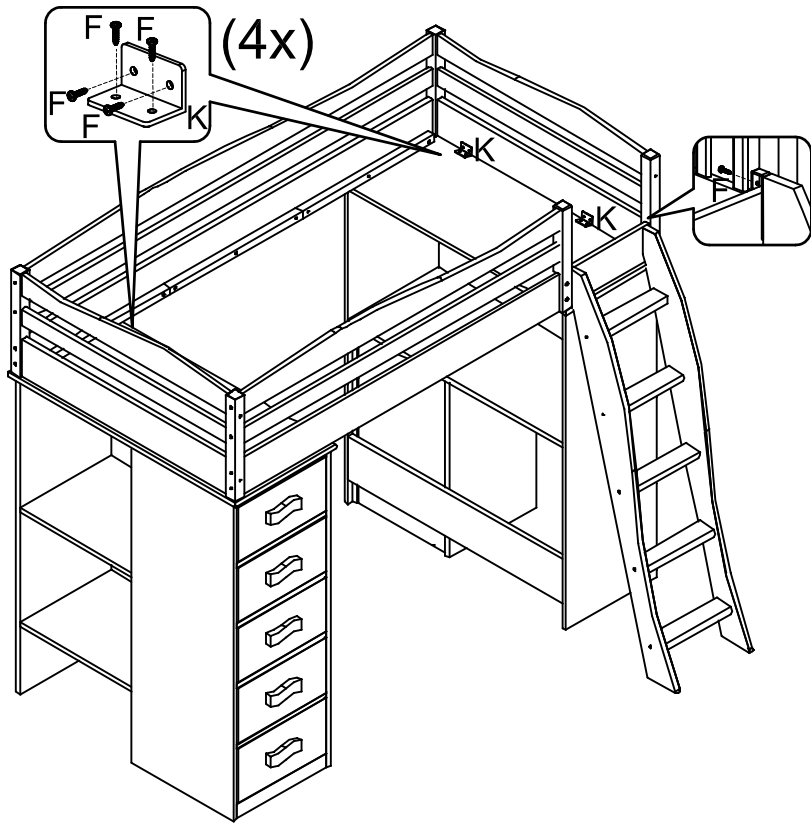





21



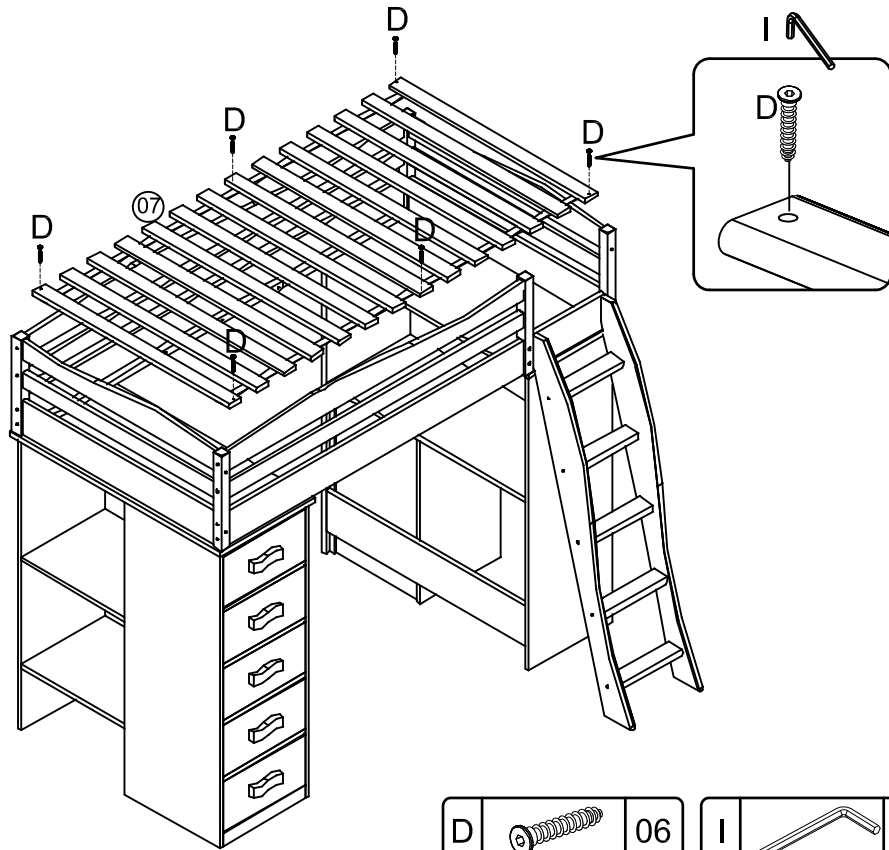
- | | | | | | | | | | | | | |
|---|--|----|---|--|----|---|--|----|---|--|----|--|
| C |  | 10 | J |  | 02 | I |  | 01 | L |  | 04 |  |
|---|--|----|---|--|----|---|--|----|---|--|----|--|

22



- | | | | | | | |
|---|---|----|---|---|----|---|
| F |  | 18 | K |  | 04 |  |
|---|---|----|---|---|----|---|

23



24

